

# JX45AF & JX45AFR

Item#	Project	Date	Models: JX45AF, JX45AFR
-------	---------	------	-------------------------

## “Super” Floor Model Automatic Fruit Juice Machines



*Model JX45AF*



*Model JX45AFR*

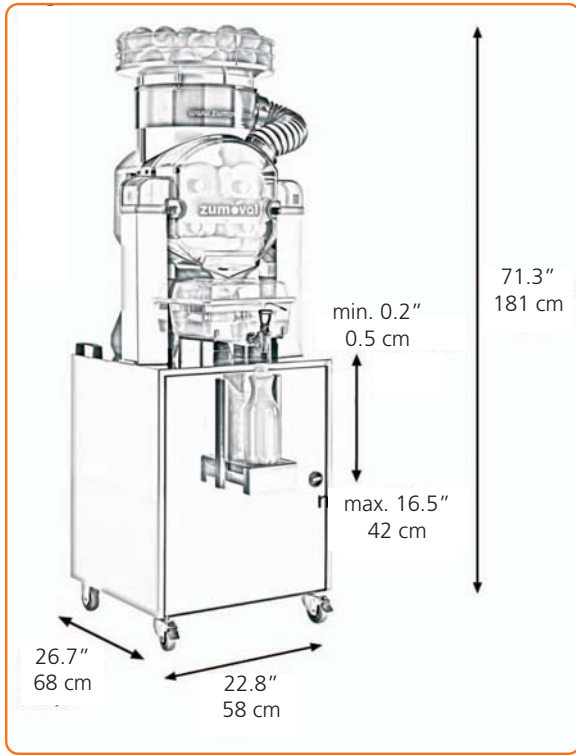
## Features

- Avoid The Bitter Peel Taste – The exclusive design of the juicer insures that the peel is separated from the pulp and not pressed during the squeezing process. This is the secret to fresh sweet juice without any trace of bitter peel oil.
- Micro Serrated Slicing Blade – Heavy-duty stainless steel blade strong enough to quickly slice through the thickest peel.
- Carousel Style Automatic Feeder – Fruit is automatically fed into the machine quickly & efficiently as the feeder rotates.
- Easy to Disassemble & Clean – No tools required to remove dishwasher safe components.

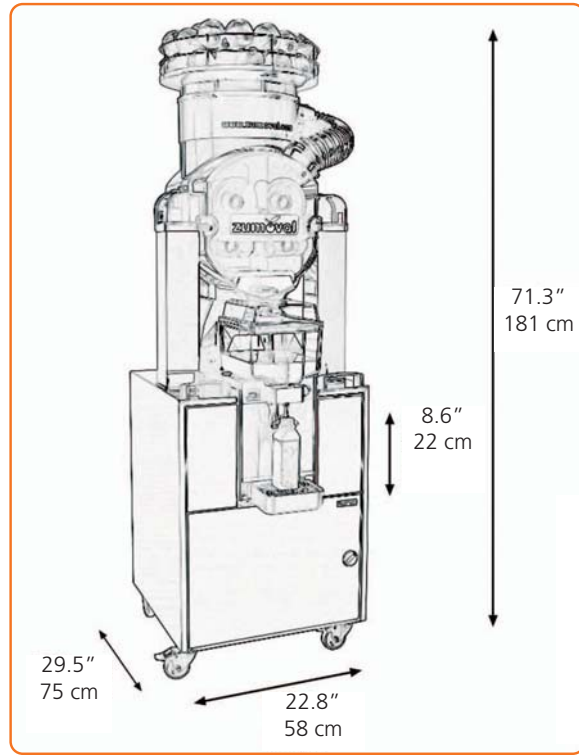
# Models & Dimensions



**JX45AF Auto Feed**



**JX45AFR Refrigerated/Auto Feed**



## Specifications

Model	Description	Feeder Capacity	Flow Rate / Min	Dimensions (H x W x D)	Electrical	Ship Weight
<b>JX45AF</b>	Auto feed, juice reservoir and self-serve faucet	40 lbs. (18 kg)	57 oz. - 114 oz. (1.7L - 3.4L)	71.3" x 23" x 29.5" (181 cm x 58 cm x 75 cm)	120V, 1080W, 9A	184 lbs. (84 kg)
<b>JX45AFR</b>	Auto feed, refrigerated juice reservoir and self-serve faucet	40 lbs. (18 kg)	57 oz. - 114 oz. (1.7L - 3.4L)	71.3" x 23" x 29.5" (181 cm x 58 cm x 75 cm)	120V, 1080W, 9A	214 lbs. (97 kg)

**Electrical:** Line cord included, Nema plug 5-15P. **Color:** Orange.  
**Fruit Diameter:** All models except JX28MCB = 2.36" - 3.2" (60 mm - 80 mm). JX28MCB = 3" - 3.8" (76 mm - 97 mm). **Options:** Electrical - 230V, .6KW, 2.5A, 50/60Hz export voltage available.  
 Contact GMCW™ for more information. Specifications subject to improvement or change without notice.



GMCW™ 4003 Collins Lane, Louisville, KY 40245 USA

Tel: +1.502.425.4776 / 800.695.4500 (USA & Canada only) • Fax: +1.502.425.4664 • www.gmcw.com • Email: info@gmcw.com