



# EM Series Ribbed Gas Griddle Top 12"

ITEM # \_\_\_\_\_

MODEL # \_\_\_\_\_

PROJECT NAME # \_\_\_\_\_

SIS # \_\_\_\_\_

AIA# \_\_\_\_\_



### EM Series

### Ribbed Gas Griddle Top 12"

169016 (ARG12FR)

COMPACT LINE RIBBED  
GAS GRIDDLE TOP 12" (305  
mm) - FULLY RIBBED -  
NATURAL/PROPANE GAS

### Short Form Specification

Item No. \_\_\_\_\_

Unit to be Electrolux Compact Line Ribbed Gas Griddle Top with single high efficiency 26,000 BTU (7,6 kW) burner. Suitable for natural gas or propane gas. Thick 1" (25 mm) highly polished mild steel griddle plate maintains selected temperatures and assures quick recovery. Stainless steel grease trough, one piece rolled front. Single removable grease collector drawer. Insulated cooktop to conserve energy. Front, side and top panels of unit in Stainless steel with Scotch Brite finish. Unit has right-angled side edges to allow flush-fitting junction between units.

In North America, products are covered by Electrolux Platinum Star® Service Program two-year parts and one-year labor warranty, installation start-up and performance check-up after one year from installation.



Approval: \_\_\_\_\_

### Main Features

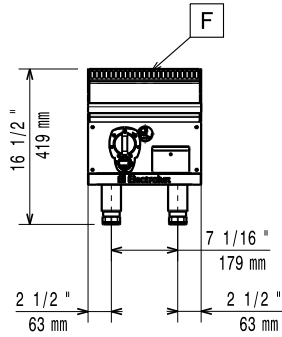
- Single high efficiency 26,000 BTU (7,6 kW) burners.
- Thick 1" (25 mm) highly polished mild steel griddle plate maintains selected temperatures and assures quick recovery.
- Stainless steel grease trough, one piece rolled front.
- Single removable grease collector drawer.
- Insulated cooktop to conserve energy.
- Flame failure device to protects against accidental extinguishing of the flame.
- All major components can be accessed from the front for ease of maintenance.
- Front, side and rear panels in Stainless Steel with Scotch Brite finish.
- Right-angled side edges to allow flush fitting joints between units, eliminating gaps and possible dirt traps.
- Kit for installation of top units to neutral bases and cupboards provided as standard.
- Included Accessories: propane converter kit, pressure regulator.

### Optional Accessories

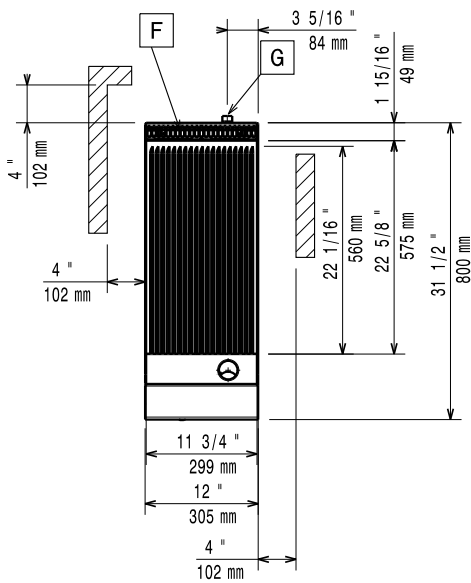
- 4 pins kit for equipment to be installed on Refrigerator/freezer bases PNC 169048



**Front**

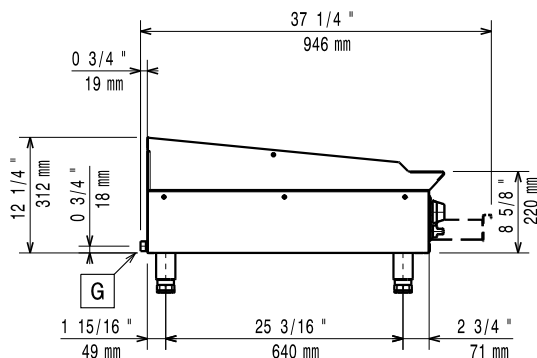


**Top**



**G** = Gas connection

**Side**



### Gas

<b>Gas Power:</b>	
<b>169D16(ARG12FR)</b>	26000 Btu/hr (7.6 kW)
<b>Gas Inlet:</b>	3/4" NPT
<b>Natural Gas Pressure:</b>	4" w.c. (10 mbar)
<b>Propane Gas Pressure:</b>	7" w.c. (18 mbar)

### Key Information

<b>Cooking Surface Width:</b>	11 3/4" (299 mm)
<b>Cooking Surface Depth:</b>	22 5/8" (575 mm)
<b>Working Temperature MIN:</b>	194 °F (90 °C)
<b>Working Temperature MAX:</b>	500 °F (260 °C)
<b>Net weight:</b>	82 lbs (37 kg)
<b>Shipping width:</b>	35 7/16" (900 mm)
<b>Shipping depth:</b>	14" (355 mm)
<b>Shipping height:</b>	25 1/2" (648 mm)
<b>Shipping weight:</b>	93 lbs (42 kg)
<b>Shipping volume:</b>	7.31 ft <sup>3</sup> (0.21 m <sup>3</sup> )

\* Recommended rear clearance of 4" (102 mm).