



# EM Series Ribbed Gas Griddle Top 24"

ITEM # \_\_\_\_\_

MODEL # \_\_\_\_\_

PROJECT NAME # \_\_\_\_\_

SIS # \_\_\_\_\_

AIA# \_\_\_\_\_



### EM Series

### Ribbed Gas Griddle Top 24"

169017 (ARG24FR)

COMPACT LINE RIBBED  
GAS GRIDDLE TOP 24" (610  
mm) - 1/3 RIBBED -  
NATURAL/PROPANE GAS

### Short Form Specification

Item No. \_\_\_\_\_

Unit to be Electrolux Compact Line Ribbed Gas Griddle Top with three individually controlled high efficiency 26,000 BTU (7,6 kW) burners. Suitable for natural gas or propane gas. Thick 1" (25 mm) highly polished mild steel griddle plate maintains selected temperatures and assures quick recovery. Stainless steel grease trough, one piece rolled front. Two large 1 gal. (3.8 lt) removable grease collector drawers. Insulated cooktop to conserve energy. Front, side and top panels of unit in Stainless steel with Scotch Brite finish. Unit has right-angled side edges to allow flush-fitting junction between units.

In North America, products are covered by Electrolux Platinum Star® Service Program two-year parts and one-year labor warranty, installation start-up and performance check-up after one year from installation.



### Main Features

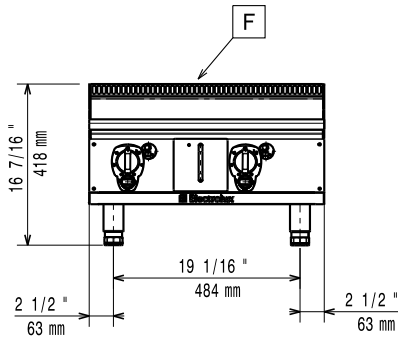
- Three individually controlled high efficiency 26,000 BTU (7,6 kW) burners.
- Thick 1" (25 mm) highly polished mild steel griddle plate maintains selected temperatures and assures quick recovery.
- Stainless steel grease trough, one piece rolled front.
- Two large 1 gal. (3.8 lt) removable grease collector drawers.
- Insulated cooktop to conserve energy.
- Flame failure device to protects against accidental extinguishing of the flame.
- All major components can be accessed from the front for ease of maintenance.
- Front, side and rear panels in Stainless Steel with Scotch Brite finish.
- Right-angled side edges to allow flush fitting joints between units, eliminating gaps and possible dirt traps.
- Kit for installation of top units to neutral bases and cupboards provided as standard.
- Included Accessories: propane converter kit, pressure regulator.

### Optional Accessories

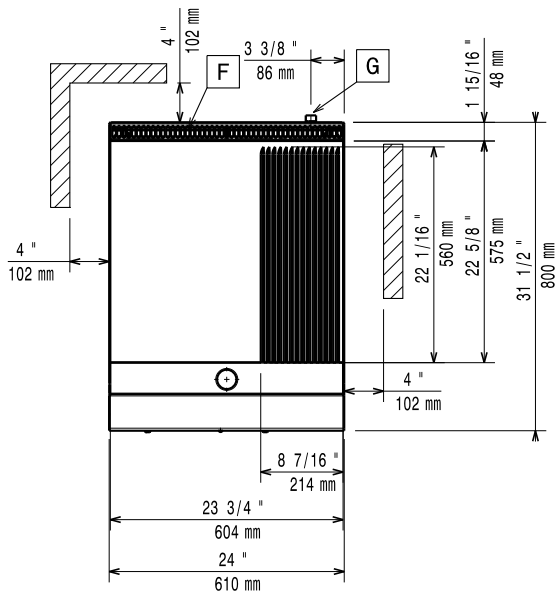
- 4 pins kit for equipment to be installed on Refrigerator/freezer bases  PNC 169048

Approval: \_\_\_\_\_

**Front**

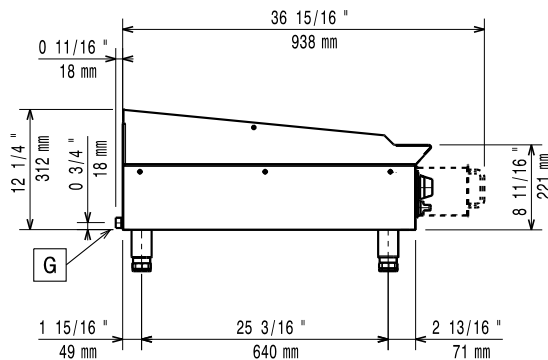


**Top**



**G** = Gas connection

**Side**



### Gas

**Gas Power:**

169017(ARG24FR)

52000 Btu/hr (15.2 kW)

Propane (must be specified when ordered)

**Gas Type Option:**

**Gas Inlet:**

3/4" NPT

**Natural Gas Pressure:**

4" w.c. (10 mbar)

**Propane Gas Pressure:**

7.2" w.c. (18 mbar)

### Key Information

**Cooking Surface Width:** 23 3/4" (604 mm)

**Cooking Surface Depth:** 22 5/8" (575 mm)

**Working Temperature MIN:** 194 °F (90 °C)

**Working Temperature MAX:** 500 °F (260 °C)

**Net weight:** 159 lbs (72 kg)

**Shipping width:** 35 7/16" (900 mm)

**Shipping depth:** 26" (660 mm)

**Shipping height:** 25 1/2" (648 mm)

**Shipping weight:** 176 lbs (80 kg)

**Shipping volume:** 13.59 ft<sup>3</sup> (0.38 m<sup>3</sup>)

If appliance is set up or next to or against temperature sensitive furniture or similar, a safety gap of approximately 6" (150 mm) should be maintained or some form of heat insulation fitted.