



EM Series Ribbed Gas Griddle Top 36"

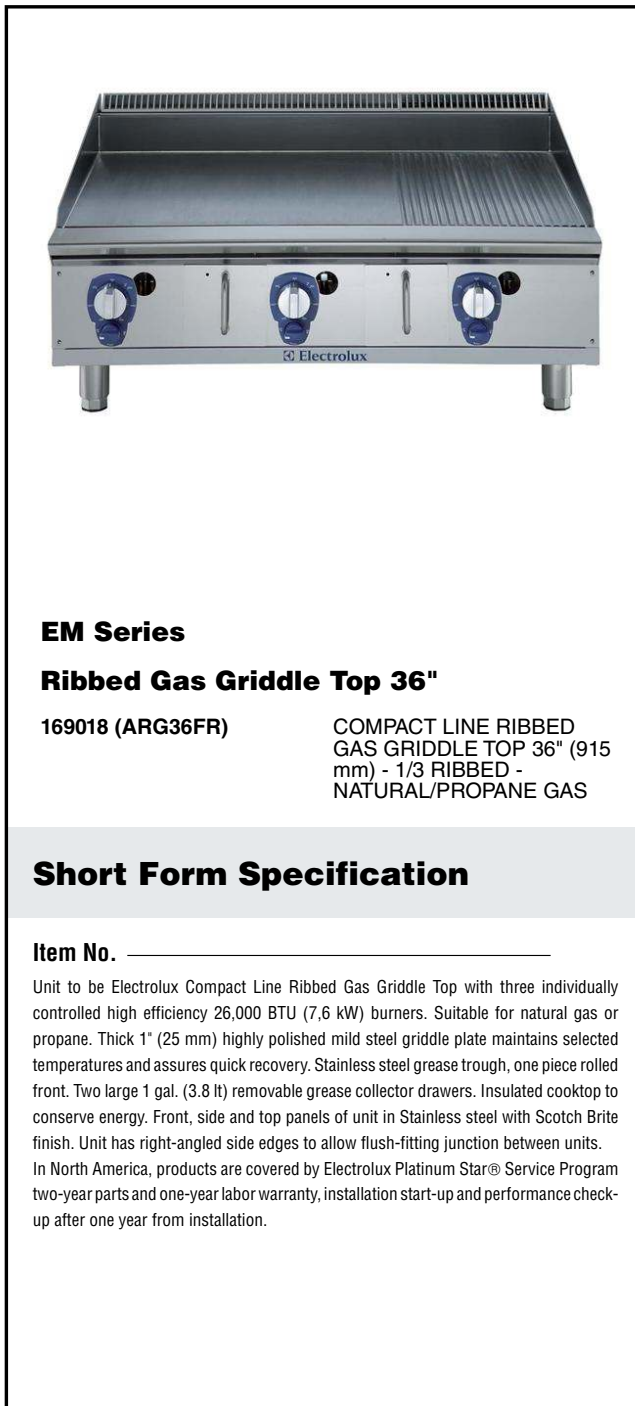
ITEM # _____

MODEL # _____

PROJECT NAME # _____

SIS # _____

AIA# _____



EM Series

Ribbed Gas Griddle Top 36"

169018 (ARG36FR)

COMPACT LINE RIBBED
GAS GRIDDLE TOP 36" (915
mm) - 1/3 RIBBED -
NATURAL/PROPANE GAS

Short Form Specification

Item No. _____

Unit to be Electrolux Compact Line Ribbed Gas Griddle Top with three individually controlled high efficiency 26,000 BTU (7,6 kW) burners. Suitable for natural gas or propane. Thick 1" (25 mm) highly polished mild steel griddle plate maintains selected temperatures and assures quick recovery. Stainless steel grease trough, one piece rolled front. Two large 1 gal. (3.8 lt) removable grease collector drawers. Insulated cooktop to conserve energy. Front, side and top panels of unit in Stainless steel with Scotch Brite finish. Unit has right-angled side edges to allow flush-fitting junction between units.

In North America, products are covered by Electrolux Platinum Star® Service Program two-year parts and one-year labor warranty, installation start-up and performance check-up after one year from installation.



Main Features

- Three individually controlled high efficiency 26,000 BTU (7,6 kW) burners.
- Thick 1" (25 mm) highly polished mild steel griddle plate maintains selected temperatures and assures quick recovery.
- Stainless steel grease trough, one piece rolled front.
- Two large 1 gal. (3.8 lt) removable grease collector drawers.
- Insulated cooktop to conserve energy.
- Flame failure device to protects against accidental extinguishing of the flame.
- All major components can be accessed from the front for ease of maintenance.
- Front, side and rear panels in Stainless Steel with Scotch Brite finish.
- Right-angled side edges to allow flush fitting joints between units, eliminating gaps and possible dirt traps.
- Kit for installation of top units to neutral bases and cupboards provided as standard.
- Included Accessories: propane converter kit, pressure regulator.

Optional Accessories

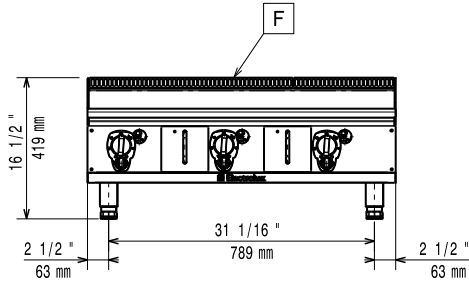
- 4 pins kit for equipment to be installed on Refrigerator/freezer bases PNC 169048

Approval: _____

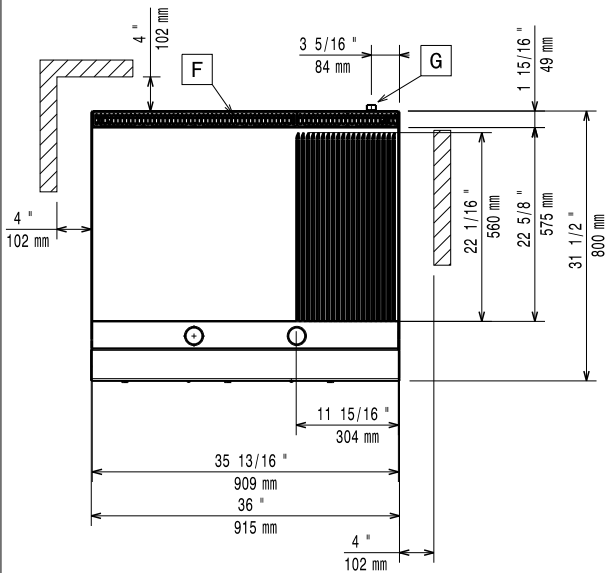
Electrolux Professional
www.electroluxusa.com/professional
www.electrolux.com/foodservice
foodservice@electrolux.com
KaTom Restaurant Supply, Inc.

EM Series
Ribbed Gas Griddle Top 36"

Front

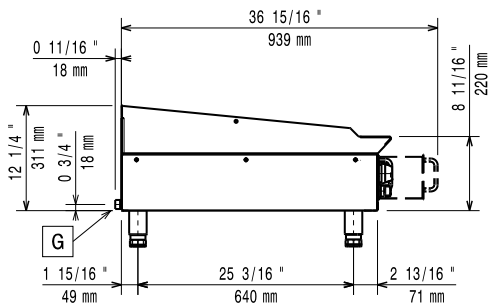


Top



G = Gas connection

Side



Gas

Gas Power:

169018(ARG36FR)

78000 Btu/hr (22.8 kW)

Propane (must be specified when ordered)

Gas Type Option:

Gas Inlet:

3/4" NPT

Natural Gas Pressure:

4" w.c. (10 mbar)

Propane Gas Pressure:

7.2" w.c. (18 mbar)

Key Information

Cooking Surface Width: 35 13/16" (909 mm)

Cooking Surface Depth: 22 5/8" (575 mm)

Working Temperature MIN: 194 °F (90 °C)

Working Temperature MAX: 500 °F (260 °C)

Net weight:

236 lbs (107 kg)

Shipping width:

35 7/16" (900 mm)

Shipping depth:

38" (965 kg)

Shipping height:

25 1/2" (648 mm)

Shipping weight:

262 lbs (119 kg)

Shipping volume:

19.87 ft³ (0.56 m³)

If appliance is set up or next to or against temperature sensitive furniture or similar, a safety gap of approximately 6" (150 mm) should be maintained or some form of heat insulation fitted.