



# Electrolux

## EMPower Gas Pasta Cooker (24.5lt/6.5gal) - 16"

ITEM # \_\_\_\_\_

MODEL # \_\_\_\_\_

NAME # \_\_\_\_\_

SIS # \_\_\_\_\_

AIA # \_\_\_\_\_



EMPower

Gas Pasta Cooker (24.5lt/6.5gal) - 16"

169123 (ACPG25)

EMPower Restaurant Range pasta cooker, gas, 42,500 BTU, 6.5 gallon (25 lt) capacity with 6" adjustable, removable legs

### Short Form Specification

#### Item No. \_\_\_\_\_

EMPower unit to be Electrolux Gas Pasta Cooker with single high efficiency 42,500 BTU (12.5 kW) burner and single well with maximum capacity of 6.5 gal. (24.5 l). Suitable for natural gas or propane gas. Control panel with gas cock and water tap. Door to protect gas and water connections and to provide access to gas ignition and water drain valve. The tank is pressed in AISI 316 Stainless Steel to protect against corrosion. Worktop in AISI 304 Stainless Steel. Front and side panels in Stainless Steel with Scotch Brite finish. Special heavy duty chrome plated knobs for durability and easy cleaning. The configuration of bezels and knobs provides high level of protection against water infiltrations. Right-angled side edges to allow flush fitting joints between EMPower units. Supplied with 6" (150mm) height adjustable legs.



APPROVAL: \_\_\_\_\_

### Main Features

- Single high efficiency gas 12.5 kW burner.
- Burner with optimized combustion and protected pilot light.
- Flame failure device to protect against accidental extinguishing of the flame.
- Insulated cooktop to conserve energy.
- Easy-to-use control panel with gas cock and water tap.
- Door to protect gas and water connections and to provide access to gas ignition and water drain valve.
- All major compartments located in front of unit for ease of maintenance.
- In addition to cooking pasta, the appliance can be used for noodles of every kind, rice, dumplings, vegetables and soups for large or small servings.
- Water basin in AISI 316L Stainless Steel has a maximum capacity of 24.5 l and is seamlessly welded into the top of the appliance.
- Worktop in 304 AISI stainless steel, 2mm thick.
- Front and side panels in Stainless Steel with Scotch Brite finish.
- Special heavy duty chrome plated knobs for durability and easy cleaning.
- The configuration of bezels and knobs provides high level of protection against water infiltrations.
- Right-angled side edges to allow flush fitting joints between units, eliminating gaps and possible dirt traps.
- Provided with kit for side-by-side connection between units for minimizing gaps and possible dirt traps.
- Supplied with 150 mm height adjustable, removable legs.
- Included Accessories: propane converter kit, pressure regulator and main shut off valve.

### Construction

- Worktop in 304 AISI stainless steel.
- Gas pressure regulator is supplied with the unit.

### Included Accessories

- 1 of Support for baskets for 5.3 and 6.5 gallon pasta cookers PNC 921606

### Optional Accessories

- Connection kit used to join open gas burner ranges (169105, 169106, 169134, 169135), convection oven base (169110), fryer (169109), pasta cooker (169123) and open cupboards (169028 - 169031). Cannot be used for refrigerated bases and static oven base.
- EMPower back mounted rear shelf-spacer, 16"unit  PNC 169097
- Portioning Shelf 12"  PNC 169173

Electrolux Professional, Inc.

[www.electroluxusa.com/professional](http://www.electroluxusa.com/professional)

10200 David Taylor Drive, Charlotte, NC 28262 • Telephone Number: 866-449-4200 • Fax Number: 704-547-7401



Electrolux

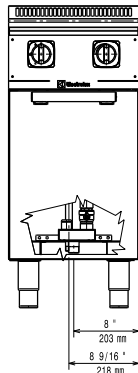
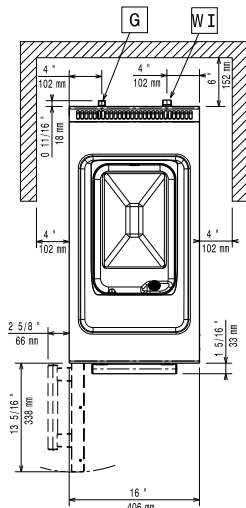
EMPower  
Gas Pasta Cooker (24.5lt/6.5gal) - 16"



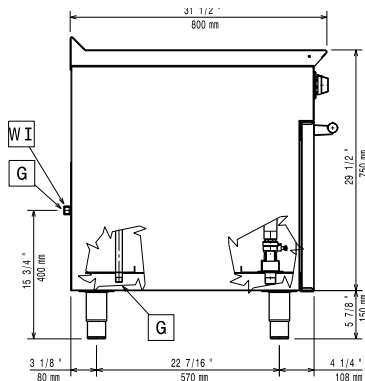
**Electrolux**

**EMPower  
Gas Pasta Cooker (24.5lt/6.5gal) -  
16"**

- Portioning Shelf 16" PNC 169174  
□
- Kit of 4 wheels (2 swivelling with brake) for open gas burner ranges, convection oven bases, fryers, pasta cookers and EMPower open cupboards PNC 206135  
□
- Support for baskets for 5.3 and 6.5 gallon pasta cookers PNC 921606  
□
- Lid for 5.3 and 6.5 gallon pasta cookers PNC 921607  
□
- 2 baskets (7.5"x8.5") for 5.3 and 6.5 gallon pasta cookers PNC 921610  
□

**Front**

**Top**


- CWII** = Cold Water inlet  
**D** = Drain  
**EQ** = Equipotential screw  
**G** = Gas connection

**Side**

**Gas**
**Gas Power:**

**169123 (ACPG25)** 42500 Btu/hr (12.5 kW)

**Gas Inlet:**

1/2"

**Water:**

**Electrolux** recommends the use of treated water, based on testing of specific water conditions.

Please refer to user manual for detailed water quality information.

**Key Information:**

<b>Net weight:</b>	84 lbs (38 kg)
<b>Shipping width:</b>	18 1/4" (464 mm)
<b>Shipping depth:</b>	36 1/8" (918 mm)
<b>Shipping height:</b>	45 7/16" (1154 mm)
<b>Shipping weight:</b>	99 lbs (45 kg)
<b>Shipping volume:</b>	17.36 ft <sup>3</sup> (0.49 m <sup>3</sup> )

\*The rear and side clearances shown on the diagram indicate the minimum distances recommended from the appliance to combustible surfaces.