



EM Series Open Cupboard 36"

ITEM # _____

MODEL # _____

PROJECT NAME # _____

SIS # _____

AIA# _____



EM Series

Open Cupboard 36"

169031 (AV36)

Open Cupboard
36" (915 mm)

Short Form Specification

Item No. _____

Unit to be Electrolux Open Cupboard 36" (915 mm). Unit to be installed below Electrolux top units. Construction in stainless steel. Right-angled side edges to allow flush fitting between units. Supplied with 6" (150 mm) height adjustable, removable legs. Unit may be installed on castors.

Main Features

- Unit to be installed below Electrolux top models.
- Constructed in stainless steel with Scotch Brite finish.
- Right-angled side edges to allow flush fitting between units.
- Supplied with 6" (150 mm) height adjustable, removable legs.
- Unit may be installed on castors.
- Base compartment for storage of pots, pans, sheet pans, etc.
- Included accessories: 4 pins for connection to top units.

Optional Accessories

- KIT 4 WHEELS - 2 SWIVELLING WITH BRAKE PNC 206135



Approval: _____

Electrolux Professional, Inc.

www.electroluxusa.com/professional

10200 David Taylor Drive, Charlotte, NC 28262 • Telephone Number: 866-449-4200 • Fax Number: 704-547-7401

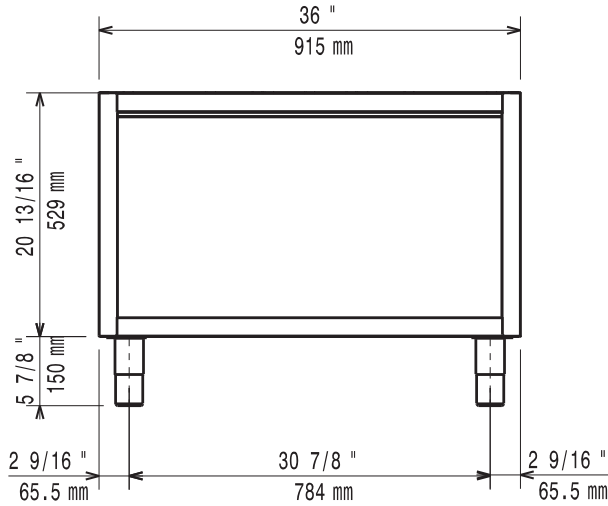
Electrolux

**EM Series
Open Cupboard 36"**

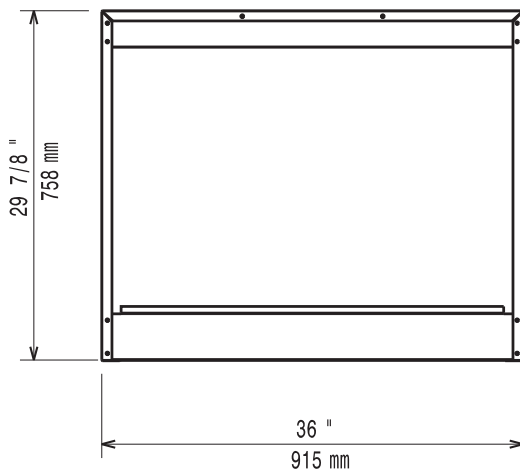
Key Information

External dimensions, width	36 1/32" (915 mm)
External dimensions, depth	29 15/16" (760 mm)
External dimensions, height	26 11/16" (678 mm)
Net weight:	66 lbs (30 kg)
Shipping width:	38 " (965 mm)
Shipping depth:	35 7/16" (900 mm)
Shipping height:	34 1/4" (870 mm)
Shipping weight:	79 lbs (36 kg)
Shipping volume:	26.68 ft ³ (0.76 m ³)

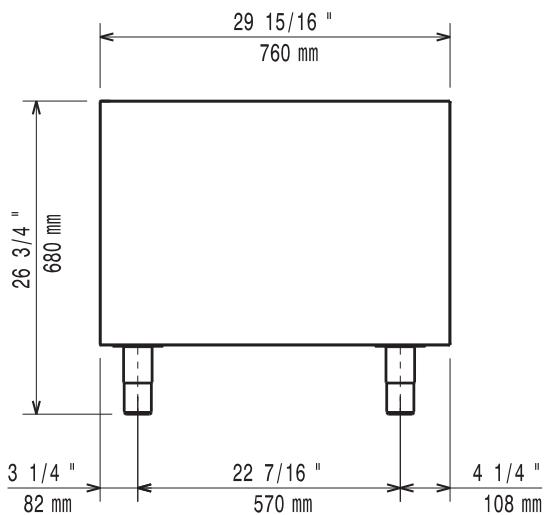
Front



Top



Side



**EM Series
Open Cupboard 36"**

The company reserves the right to make modifications to the products without prior notice. All information correct at time of printing.

12-19-10