

air-o-steam
air-o-steam TOUCHLINE Electric
Combi Oven 202

ITEM # _____
 MODEL # _____
 NAME # _____
 SIS # _____
 AIA # _____



air-o-steam

air-o-steam TOUCHLINE Electric Combi Oven 202

267385 (AOS202ETV1)

EL.COMBI OVEN(TOUCH)
 20 GN 2/1-480V-US

Short Form Specification

Item No. _____

Unit to be Electrolux air-o-steam® Combi TOUCHLINE Oven. The air-o-steam® features three cooking modes - Automatic, Programs and Manual. Large touch-screen display for both set and actual values of humidity and temperature in cooking chamber during cooking. 6-point multi-sensor for core temperature controlled cooking cycles. All 304 stainless-steel construction, seamless hygienic cooking chamber with all rounded corners. Double thermo-glazed door with open frame construction for cool outside door panel. Halogen cooking chamber lighting. IPX-5 spray water protection certification. USB connection. air-o-clean™, automatic and built-in self-cleaning system. Food Safe control to automatically monitor and validate the cooking process according to HACCP standards. HACCP management available upon request. Green functions to save energy, water and rinse aid. Half day chef training included. Covered by Electrolux Platinum Star® Service Program two-year parts and one-year labor warranty, installation start-up and performance checkup after one year from installation.



APPROVAL: _____

Main Features

- Manual mode: traditional cooking style by manually selecting the parameters. Traditional cooking cycles available:
 - Dry, hot convection cycle (max. 212 °F / max 300 °C): ideal for low humidity cooking such as dehydration, baking and grilling.
 - Low temperature steam cycle (max. 212 °F / 100 °C): ideal for sous-vide (vacuum packed), rethermalization and delicate steam cooking.
 - Steam cycle (212 °F / 100 °C): ideal for traditionally steaming products such as seafood and vegetables.
 - High temperature steam (max. 266 °F / max. 130 °C): ideal for steaming frozen products and vegetables.
 - Combination cycle (max. 482 °F / max. 250 °C): combines convected heat and steam to obtain a humidity controlled cooking environment, accelerating the cooking process, while guaranteeing perfect textures and reducing weight loss. Possible to set up to 16-phases (steps).
- Programs mode: a maximum of 1000 recipes can be stored in the oven's memory, to replicate the same results at any time. The recipes can be grouped in up to 16 different categories to help organize the menu. Possible to save programs with up to 16-phases (steps) each.
- Automatic mode: choosing family and food type, the oven automatically selects the appropriate cooking climate, temperature and time. A maximum of 60 personalised presets per family can be saved. Three special automatic cycles available:
 - Low Temperature Cooking cycle (LTC) to minimize weight loss, maximizing food quality for large pieces of meat.
 - Reheating cycle: efficient humidity management to quickly reheat.
 - Proofing cycle: uses the air-o-clima function to create the perfect proofing conditions.
- MultiTimer function to manage a sequence of up to 14 different cooking cycles, improving flexibility and ensuring excellent cooking results. Can be saved up to 70 MultiTimers Programs.
- air-o-clima™ PATENTED: Lambda sensor controlled, automatic humidity adjustment of cooking environment based on settings for perfect textures and repeatability.
- air-o-flow: fresh air from the outside is directed to the bi-functional fan, becomes pre-heated and then pushed into the cooking chamber to guarantee an even cooking process.
- Exhaust valve electronically controlled to extract humidity in excess for extra crispy results.
- Fan speeds: full, half speed and pulse. Full speed active as default. Half speed ideal for delicate cooking such as baking. Pulse ideal for low weight loss and for keeping food warm at the end of the cooking cycle.
- Hold function for keeping food warm at the end of a cycle.
- Automatic and manual rapid cooling activation when going from a higher to a lower cavity temperature.
- 6-point multi sensor core temperature probe for maximum precision and food safety.
- Food Safe Control (FSC) PATENTED monitors the cooking process to comply with HACCP standards. Built-



in HACCP management to record cooking procedure and to specify level of Pasteurization.

- USB connection: to download HACCP and FSC data, upload the recipes and interface setting.
- Sous-vide USB probe to ensure excellent cooking results even with vacuum-packed products (optional accessory).
- Supplied with n.1 roll-in tray rack, 2 1/2" 63mm pitch and door shield.
- Make-it-mine feature to allow user to personalize all user main interfaces in the "Setting" mode and block editing and deleting of stored programs.
- air-o-clean™ automatic and built-in self cleaning system (4 automatic) with "Green" functions to save energy, water and rinse aid.
- Guided descaling function to guide operator during boiler descaling phase (from "Setting" mode).
- Supplied with n.1 tray rack, 2 1/2" 65mm pitch.
- Electrolux Platinum Star® Service package included:
 - 2-year parts, 1-year labor warranty
 - Start-up installation check
 - Equipment check-up after 12 months from installation
- ETL safety approved, complies with UL 197 and CSA 22.2 listings.
- ETL sanitation approved, complies with NSF/ANSI 2 listing.

- Baguette tray, made of perforated aluminum, silicon coated, 16" x 24" (400 x 600mm) PNC 922189 □
- Perforated baking tray, made of perforated aluminum, 16" x 24" (400 x 600mm) PNC 922190 □
- Baking tray, made of aluminium 16" x 24" (400 x 600mm) PNC 922191 □
- Basket for detergent tank (wall mounted) for 201 and 202 ovens PNC 922209 □
- Pair of frying baskets PNC 922239 □
- Heat Shield, for 202 oven PNC 922242 □
- Grid for whole chicken 1/1GN (8 per grid - 1,2kg each) PNC 922266 □
- Electronic Board for HACCP through PC Network, for air-o-steam and air-o-convect Ovens PNC 922275 □
- Adjustable casters for 201 oven PNC 922280 □
- USB Probe for sous-vide cooking (only for Touchline ovens) PNC 922281 □
- Universal skewer pan for ovens (TANDOOR) PNC 922326 □
- (NPT) Adaptor, 1-1/4 gas for ovens PNC 922332 □
- Multipurpose hook PNC 922348 □

Construction

- IPX 5 spray water protection certification for easy cleaning.
- 304 AISI stainless steel construction throughout.
- Seamless hygienic cooking chamber with all rounded corners for easy cleaning.
- Double thermo-glazed door with open frame construction, for cool outside door panel. Swing hinged easy-release inner glass on door for easy cleaning.
- Swing hinged front panel for easy service access to main components.

Included Accessories

- 1 of Trolley tray rack (20) for 202 oven (standard pitch) PNC 922044
- 10 of Single 304 stainless steel full-size grid (21" x 26") PNC 922076
- 1 of Control Panel Filter, for 202 oven PNC 922249

Optional Accessories

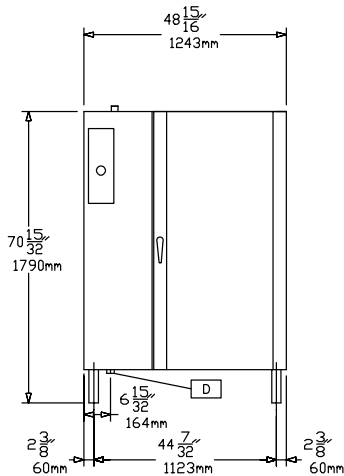
- Automatic water softener for ovens PNC 921305 □
- Resin sanitizer for water softener PNC 921306 □
- Chicken racks, pair (2) (fits 8 chickens per rack) PNC 922036 □
- Trolley tray rack (20) for 202 oven (standard pitch) PNC 922044 □
- Trolley tray rack (16) for 202 oven (increased pitch) PNC 922046 □
- Thermal blanket for 202 oven PNC 922049 □
- 92 plate rack for 202 (plate diameter up to 12 1/4") PNC 922055 □
- Pair of 304 stainless steel full-size grid (21 "x26") PNC 922060 □
- Pastry Trolley (400mm x 600mm) for 20 Full-size sheet pans air-o-system PNC 922069 □
- Door shield for 202 oven (pre-heat without trolley) PNC 922095 □
- External side spray unit PNC 922171 □
- Pair of 304 stainless steel full-size grids (21 " x 26") PNC 922175 □
- (2) fat filters for 201 and 202 oven PNC 922179 □



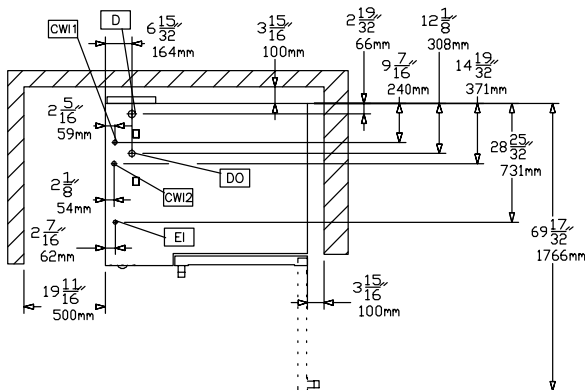
Electrolux

air-o-steam air-o-steam TOUCHLINE Electric Combi Oven 202

Front

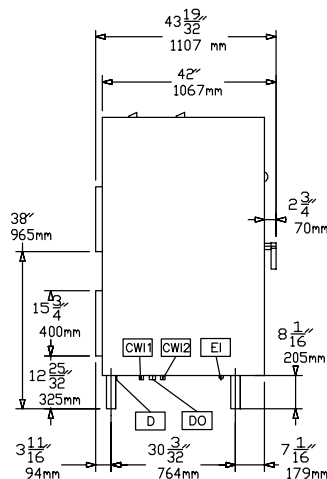


Top



- CWI1 = Cold Water inlet EI = Electrical connection
- CWI2 = Cold Water Inlet 2
- D = Drain
- DO = Overflow drain pipe

Side



Electric

Supply voltage:
267385 (AOS202ETV1) 480 V/3 ph/60 Hz

Amps: 58 A

Electrical power, max: 48 kW

Circuit breaker required

Water:

Water inlet "CW" connection: 3/4"
5-50ppm (boiler/steam - rear connection) less than 400ppm (cleaning/quenching - front connection)

Hardness:

Water consumption (gal./hr.): Min: 7.13 Max: 26.42

Pressure: 22-36 psi (1.5-2.5 bar)

Drain "D": 2" NPT

Conductivity: (50-200 µs/cm)
(must be less than 20 ppm)

Chlorides:

PH: (must be greater than 7)

Electrolux recommends the use of treated water, based on testing of specific water conditions.

Please refer to user manual for detailed water quality information

It is obligatory upon the end-user to supply the combi with water that conforms to the specifications attached on the spec sheet. A properly sized system combined with a disciplined filter replacement regimen will ensure the maximum life of the oven.

Installation:

Clearance: 2" rear and right hand sides

Suggested clearance for service access: 20" left hand side.

Capacity:

Sheet pans: 20 - 18" x 26"

Steam pans: 40 - 12" x 20"

Half size sheet pans: 40 - 13" x 18"

GN: 40 - 1/1 containers

GN: 20 - 2/1 containers

Max load capacity: 440 lbs. (200 kg)

Key Information:

Net weight: 893 lbs (405 kg)

Shipping width: 51 3/16" (1300 mm)

Shipping depth: 46 1/16" (1170 mm)

Shipping height: 80 5/16" (2040 mm)



Electrolux

air-o-steam
air-o-steam TOUCHLINE Electric
Combi Oven 202

air-o-steam
air-o-steam TOUCHLINE Electric Combi Oven 202

The company reserves the right to make modifications to the products
without prior notice. All information correct at time of printing.

2016.10.26