

## air-o-steam® Gas Combi Oven 101

ITEM # \_\_\_\_\_  
 MODEL # \_\_\_\_\_  
 PROJECT NAME # \_\_\_\_\_  
 SIS # \_\_\_\_\_  
 AIA # \_\_\_\_\_



\* Base not included

### air-o-steam® Gas Combi Oven 101

267552 (AOS101GAP1) Gas Combi Oven 101 –  
 120 V/1p/60Hz - 4.3A

### Short Form Specification

Item No. \_\_\_\_\_

Unit to be Electrolux air-o-steam® Combi Oven AOS101G. The air-o-steam® features three cooking modes – Steam (77 °F-266 °F), Hot convection air (77 °F-572 °F) and Combi-mode (77 °F-482 °F). Each cooking mode operates under Lambda-sensor driven air-o-clima™: automatic and constant real humidity control. 6 point multi sensor for core temperature controlled cooking cycles. Pre-programmed low temperature cooking cycle (LTC) and programmable memory (up to 100, 7-step programs available), 20 factory pre-set cooking programs included. Large LED display for both set and actual values of humidity and temperature in cooking chamber during cooking. All 304 Stainless-steel construction, seamless hygienic cooking chamber with all rounded corners. Double thermo-glazed door with open frame construction for cool outside door panel. Halogen cooking chamber lighting. IPX-5 (NEMA 4) spray water protection certification. Retractable spray hose included as standard.

Air-o-clean, automatic and built-in self-cleaning system.

EKIS, pc-controlled HACCP monitoring software package available at additional cost.

Half day chef training included.

Covered by Electrolux Platinum Star™ Service Program two-year parts and one-year labor warranty, installation start-up and performance check-up after one year from installation.



Approval: \_\_\_\_\_

### Main features

- Dry, hot convection cycle (77 °F to 572 °F): ideal for low humidity baking.
- Low temperature Steam cycle (77 °F to 211 °F): ideal for sous-vide (vacuum packed) re-thermalization and delicate cooking.
- Steam cycle (212 °F): seafood and vegetables.
- High temperature steam (213 °F to 266 °F).
- Combination cycle (77 °F to 482 °F): combining convected heat and steam to obtain humidity controlled cooking environment, accelerating the cooking process and reducing weight loss.
- Pre-programmed re-thermalization cycles for banqueting applications.
- **Air-o-clima™**: Lambda sensor controlled automatic humidity adjustment of cooking environment.
- 6-point multi sensor core temperature probe.
- Pre-programmed Low Temperature Cooking cycle (LTC): minimizes weight loss, maximizes food quality for large pieces of meat.
- Cook&Hold cycle.
- Variable fan speed. Radial fan.
- Reduced power cycle.
- 20 pre-set cooking programs in memory for most popular cooking items.
- 100 program locations in on-board memory, up to 7 cooking steps each.
- **Air-o-clean**: built-in and automatic self-cleaning system.
- Electrolux Platinum Star™ service package included:
  - 2-year parts, 1-year labor warranty.
  - Start-up install check.
  - Equipment check-up after 12 month from installation.
  - Half day Chef training session.

### Construction

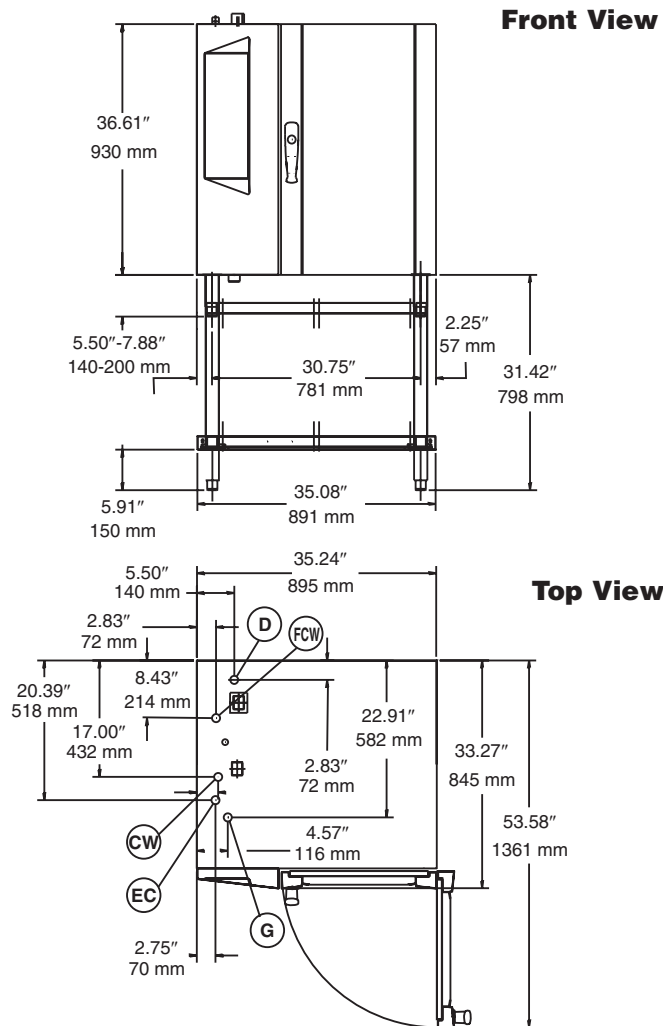
- High efficiency and low emissions burners.
- IPX 5 (NEMA 4) splash water protection certification for easy cleaning.
- All 304 Stainless steel construction.
- Seamless hygienic cooking chamber with all rounded corners for easy cleaning.
- Double thermo-glazed door with open frame construction, for cool outside door panel.
- Swing hinged easy-release inner glass on door for easy cleaning.
- Swing hinged front panel for easy service access to main components.
- Integrated spray hose included.

### Included Accessories

- 5 of 304 Stainless steel grids PNC 922062

### Optional Accessories

- 1 of Rack Cassette (10 racks) PNC 922006
- Open base stand PNC 922051
- Trolley for Rack Cassette PNC 922004
- Roll-in rack support PNC 922074
- Increased pitch rack cassette (8 racks) PNC 922009
- 29 or 23 plate rack PNC 922015/71
- 4 castors (2 with brake) PNC 922057
- Thermal blanket for banqueting rack PNC 922013
- Pair of chicken racks (8 chickens per rack) PNC 922036
- Non-stick universal pans PNC 922090-2
- Combi oven grill PNC 922093
- Fat Filters PNC 922178
- Frying griddle PNC 922215
- Stacking kit 61 on top of 61 or 101 gas PNC 922216
- Pair of frying baskets PNC 922239
- Heat shield for 101 PNC 922251



- EC = Electrical connection
- G = Gas connection
- D = Water drain
- CW = Cold Water inlet
- FCW = Filtered Cold Water inlet

### Electric

Supply voltage:  
267552 (AOS101GAP1) 120 V/1p/60Hz - 4.3A

Circuit breaker required

### Gas (Natural or LPG)

Gas (Natural or LPG)

ISO 7/1 Gas connection diameter: ½" M

Gas regulator recommended. Supplied by others.

Max rated thermal load:

Natural Gas

Pressure: 7" w.c. (17.4 mbar)

Steam generator: BTU 78,600 (23 kW)

Heating elements: BTU 85,400 (25 kW)

Total: BTU 164,000 (48 kW)

LPG

Pressure: 11" w.c. (27.4 mbar)

Steam generator: BTU 68,300 (20 kW)

Heating elements: BTU 78,600 (23 kW)

Total: BTU 146,900 (43 kW)

### Water

Water inlet "CW" - ¾" connection:

Unfiltered drinking water

Water inlet "FCW" - ¾" connection:

Total hardness: 5-50 ppm

Pressure: 22-36 psi (150-250 kPa)

Drain "D"

1-1/4" connection

*Electrolux recommends the use of treated water, based on testing of specific water conditions.*

*Please refer to user manual for detailed water quality information.*

### Installation

Clearance: 2" (5 cm) rear and right hand sides.

Suggested clearance

for service access: 20" (50 cm) left hand side.

### Capacity

Steam pans: 10 - 12" x 20"

Half size sheet pans: 10 - 13" x 18"

GN: 10 - 1/1 containers

Max load capacity: 110 lbs. (50 kg)

### Key Information

Net weight: 320 lbs. (145 kg)

Shipping weight: 364 lbs. (165 kg)

Shipping width: 37-5/8" (955 mm)

Shipping height: 52-3/16" (1325 mm)

Shipping depth: 38-3/4" (985 mm)

Shipping Volume: 44.14 cu. ft. (1.25 m³)

air-o-steam®  
Gas Combi Oven 101

The company reserves the right to make modifications to the products without prior notice. All information correct at time of printing.

12-01-08