



High Productivity Cooking Electric Tilting Pressure Braising Pan 24 Gallons

ITEM # _____
 MODEL # _____
 PROJECT NAME # _____
 SIS # _____
 AIA # _____



High Productivity Cooking Electric Tilting Pressure Braising Pan 24 Gallons

- 583302 (UET24208E) Electric Tilting Pressure Braising Pan – 24 gallon 208 V
- 583303 (UET24240E) Electric Tilting Pressure Braising Pan – 24 gallon 240 V
- 583304 (UET24480E) Electric Tilting Pressure Braising Pan – 24 gallon 480 V

Short Form Specification

Item No. _____

Unit to be Electrolux Electric Tilting Pressure Braising Pan 24 gallon capacity. Electric characteristics to be ___208 V or ___240 V or ___480 V three phase. Unit shall have polished chromium nickel steel plated cooking surface for roasting, browning, stewing, preparation of sauces, pressure cooking, sautéing, steaming, boiling, pressureless steaming, pressure steaming and braising. Unit shall be floor mounted on two consoles with four adjustable stainless steel feet. Unit shall include motorized variable tilting of pan and fully insulated and counterbalanced closing lid with safety closing mechanism. Cooking temperature and cooking time can be precisely set through state of the art control panel. Food sensor temperature built into base plates permits precise temperature cooking. Cooking times reduced thanks to cooking under saturated steam pressure of 5.8 psi.

Half-day chef training included.

Covered by Electrolux Platinum Star™ Service Program two-year parts and one-year labor warranty, installation start-up and performance check-up after one year from installation.



Approval: _____

Main features

- Pressure braising tilting pan with polished chrome nickel plated bottom (316 Stainless steel). Thickness of bottom 7/10" inch plated with 3/25" inch Stainless Steel.
- Low energy and space requirements.
- Roasting, pot-roasting, braising, simmering, boiling, pressure cooking and steaming.
- 5.8 psi of saturated steam pressure.
- The bottom remains free of distortion and cracks even due to cold water quenching.
- Double-skin structure of both panels and lid to reduce heat dispersion.
- Lid includes safety mechanism when cooking under pressure. Lid cannot be opened when under pressure for safety.
- Actual cooking/holding temperature setting and digital display.
- Timer with digital display.
- Built in food temperature sensor for precise control of cooking process (bottom of pan or in vessel when lid is closed).
- An electronic microprocessor control system with digital pre-selection of food cooking temperature, cooking time, starting time and automatic pressure nullification by steam condensation.
- Automatic detection of boiling or braising cycle.
- "Frying" operating mode with temperature over 230 °F.
- "Cooking" operating mode with temperature equal or lower than 230 °F.
- A SOFT setting for a gentle heat input, for delicate products thus avoiding undesired spillage.
- A HOLD setting where the food is initially cooked then held at a pre-set temperature.
- Cooking with a pressure of 5.8 psi reduces cooking-times by approximately 40%.
- Heat-insulated: limited heat radiation and low energy consumption.
- Motorized and variable tilting. Tilting and pouring speeds can be precisely adjusted.
- Offset tilting axle for convenient pouring height.
- Large directional pouring lip.
- Added safety: external heat-insulated paneling.
- Smooth large surfaces, easy access for cleaning.
- All pan internal surfaces ground and polished.
- Pan tilts over 90° for complete emptying/cleaning.

Optional Accessories

- Suspension frame for hotel or half size pan
- Base plate for hotel or half size pan



Electrolux

High Productivity Cooking
Electric Tilting Pressure Braising Pan 24 Gallons

Electrolux Professional, Inc.

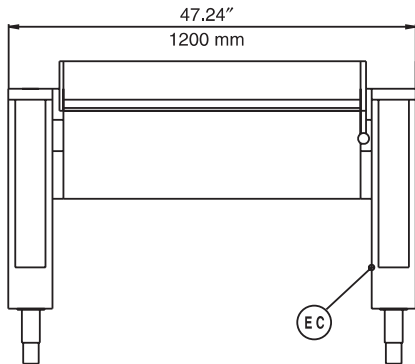
www.electroluxusa.com/professional

3225 SW 42nd Street, Fort Lauderdale, Florida, 33312 • Telephone Number: 866-449-4200 • Fax Number: 954-327-6789

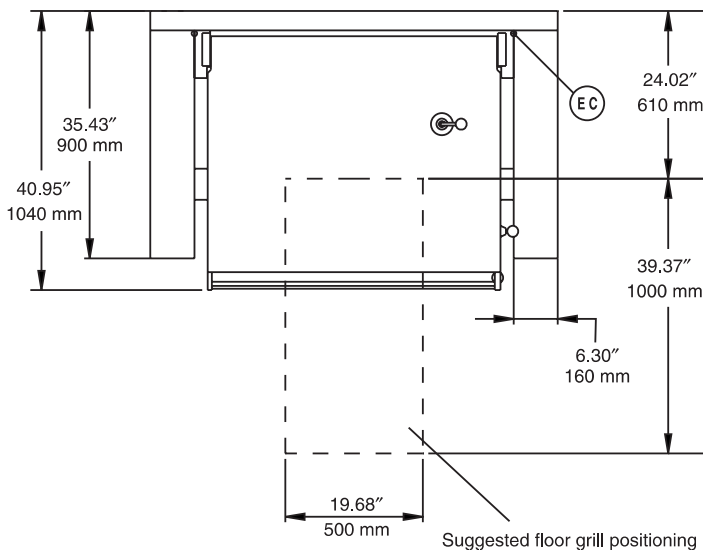


High Productivity Cooking Electric Tilting Pressure Braising Pan 24 Gallons

Front View

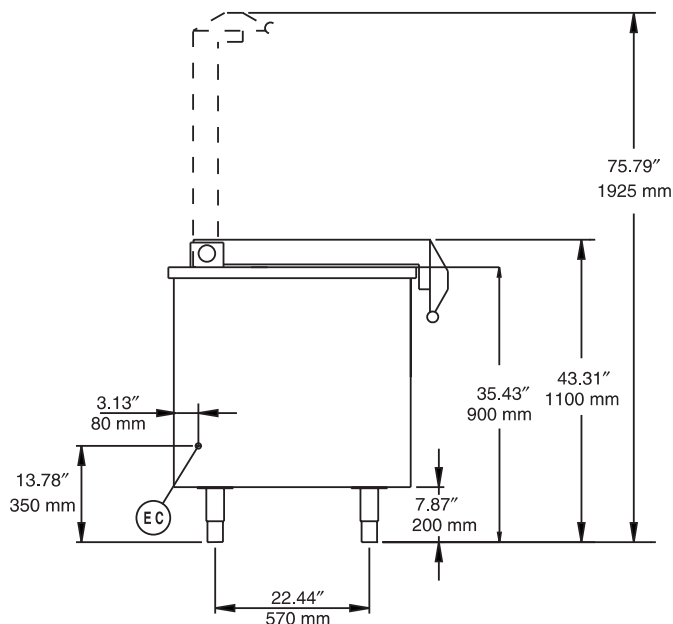


Top View



EC = Electrical connection

Side View



Electric

Supply voltage:	
583302 (UET24208E)	208 V/3p/60Hz - 35.5A
583303 (UET24240E)	240 V/3p/60Hz - 31A
583304 (UET24480E)	480 V/3p/60Hz - 16A
Total Watts:	12.2 kW

Key Information

Distance to floor of pouring lip when tilted:	19-1/16" (485 mm)
Saturated Steam pressure:	5.8 psi (0.4 bar) MAX
Working Temperature:	120 °F (50 °C) MIN 482 °F (250 °C) MAX

Pan useful capacity:	24.8 gal (94 liters)
Width of Pan:	24-7/16" (620 mm)
Height of Pan:	11-7/16" (290 mm)
Depth of Pan:	19-5/16" (490 mm)
Net weight:	661 lb (300 kg)
Shipping weight:	705 lb / 320 kg
Shipping width:	55-1/8" (1400 mm)
Shipping height:	43-5/16" (1100 mm)
Shipping depth:	47-1/4" (1200 mm)
Shipping volume:	86.15 cu.ft. (2.44 m ³)

No clearance needed on rear or sides of unit if wall is of non combustible type. If wall is combustible, minimum 2" (50 mm) wall clearance should be maintained.

Water fill faucet/shower to be mounted close to unit for filling and cleaning (not supplied).

**High Productivity Cooking
Electric Tilting Pressure Braising Pan 24 Gallons**

The company reserves the right to make modifications to the products without prior notice. All information correct at time of printing.

3-30-06