

# Electrolux

## Modular Cooking Range Line S90 2 Zone Electric Solid Top on Open Base C-Board

ITEM # \_\_\_\_\_

MODEL # \_\_\_\_\_

PROJECT NAME # \_\_\_\_\_

SIS # \_\_\_\_\_

AIA # \_\_\_\_\_



### Modular Cooking Range Line S90 2 Zone Electric Solid Top on Open Base C-Board

**584140** S90 2 ZONE ELECTRIC SOLID TOP, OPEN BASE,  
CB, 1SIDE OPERATION – 208 V

**584141** S90 2 ZONE ELECTRIC SOLID TOP, OPEN BASE,  
CB, 1SIDE OPERATION – 240 V

### Short Form Specification

Item No. \_\_\_\_\_

Unit to be Electrolux S90 Heavy Duty Electric Two Zone Solid Top on open base. Electrical characteristics to be \_\_\_ 208 V or \_\_\_ 240 V three phase. Unit to have raised rear c-board for against the wall or back to back unit installation. Unit shall have joint free large cooking surface with 2 heating areas with individual temperature settings for each zone from as low as 212 °F (100 °C) to as high as 842 °F (450 °C). Large flat cooking surface made of mild steel permits the use of a number of various sized pots and pans, all easily moved across the surface without lifting. Body and open base of unit entirely in 304 Stainless steel. Unit shall have heavy duty 304 Stainless steel internal frame. Extra strength work top in heavy duty 0.118" (3 mm) Stainless steel. "Lasertec" connection system permits units to be connected to each other creating a seamless work top.

Covered by Electrolux Platinum Star™ Service Program two-year parts and one-year labor warranty, installation start-up and performance check-up after one year from installation.

### Main features

- 2 high powered heating electric zones.
- Solid top made of mild steel, smooth pore-free and easy to clean.
- 2 heating zones independently controlled.
- Surface temperature can be regulated with two power levels up to 842 °F (450 °C) for a very high degree of accuracy.
- Joint free large cooking surface.
- Rapid heat up of the plate and continuously ready for use.
- Setting different temperature zones provides a temperature gradient over the plate for different cooking needs.
- Various sizes of pans can be used at the same time due to large surface area with no intermediate sectors.
- Pans can easily be moved from one area to another without lifting.
- Open base compartment for storage of pots, pans, sheet pans etc.
- Heavy duty internal frame in 304 type Stainless steel.
- Control parts are protected against water and heat.
- All major components can be accessed from the front for ease of maintenance.
- "Lasertec connection system" creates seamless work top when units are connected to each other.
- Raised rear C-Board permits unit to be connected up against the wall for better hygiene.
- Unit delivered with four 7-7/8" (200 mm) legs as standard (all round Stainless steel kick plates as option).

### Optional Accessories

- Set 4 Castors (2 with brake)
- Left side Stainless steel 0.118" (3 mm) panel
- Right side Stainless steel 0.118" (3 mm) panel
- 5" (130 mm) Portioning Shelf
- 7.8" (200 mm) Portioning Shelf
- All round Stainless steel kick plates.
- Shelf for open base
- Shelf fixation kit for open base
- Polinox steel wool for solid top cleaning.



Approval: \_\_\_\_\_

**Electrolux Professional, Inc.**

[www.electroluxusa.com/professional](http://www.electroluxusa.com/professional)

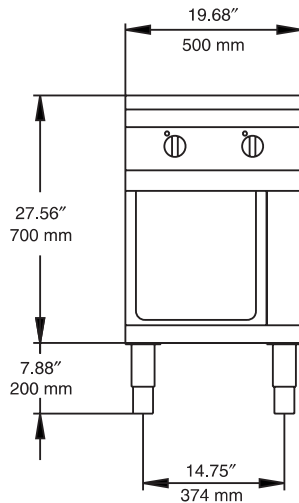
3225 SW 42nd Street, Fort Lauderdale, Florida, 33312 • Telephone Number: 866-449-4200 • Fax Number: 954-327-6789



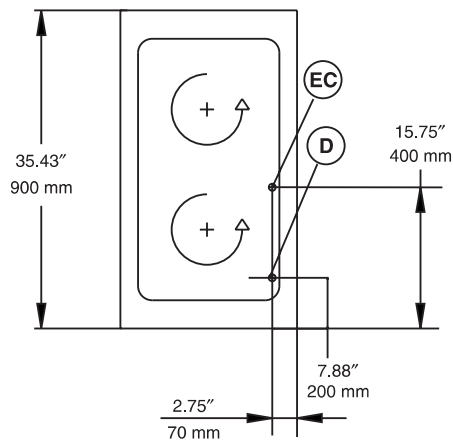
# Electrolux

S90 2 Zone Electric Solid Top on Open Base C-Board  
Modular Cooking Range Line

**Front View**

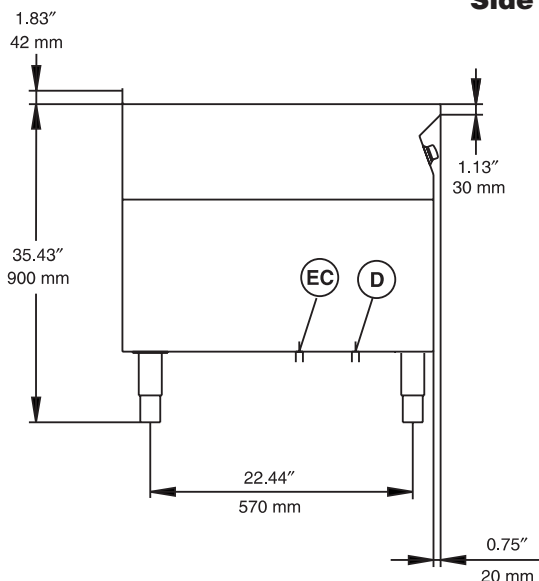


**Top View**



EC = Electrical connection  
D = Water drain

**Side View**



### Electric

**Supply voltage:**

584140 208 V/3p/60Hz - 27.5

584141 240 V/3p/60Hz - 27.3

**Total Watts:**

584140 6.4 kW

584141 7.6 kW

### Drain

**Drain Line Size:** 1" ID

Drain only for draining of dirty water used for cleaning top burners spillage area.

### Key Information

<b>Solid top usable surface (width):</b>	15.7" (400 mm)
<b>Solid top usable surface (depth):</b>	29" (740 mm)
<b>Solid top working temperature:</b>	212 °F (100 °C) MIN
<b>Solid top working temperature:</b>	842 °F (450 °C) MAX
<b>Storage Cavity Dimensions (width):</b>	13-3/8" (340 mm)
<b>Storage Cavity Dimensions (height):</b>	14-1/16" (358 mm)
<b>Storage Cavity Dimensions (depth):</b>	29-1/16" (738 mm)
<b>Net weight:</b>	507 lb (230 kg)
<b>Shipping weight:</b>	51 lb (250 kg)
<b>Shipping width:</b>	27-9/16" (700 mm)
<b>Shipping height:</b>	43-5/16" (1100 mm)
<b>Shipping depth:</b>	43-5/16" (1100 mm)
<b>Shipping volume:</b>	30.01 cu.ft (0.85 m <sup>3</sup> )

If appliance is set up or next to or against temperature sensitive furniture or similar, a safety gap off approximately 6" (150 mm) should be maintained or some form of heat insulation fitted.