



**Modular Cooking Range Line  
S90 Worktop with water mixing  
unit 4", C-Board, 1 Side**

ITEM # \_\_\_\_\_

MODEL # \_\_\_\_\_

PROJECT NAME # \_\_\_\_\_

SIS # \_\_\_\_\_

AIA # \_\_\_\_\_



**Modular Cooking Range Line  
S90 Worktop with water mixing unit  
4", C-Board, 1 Side**

584164 S90 Worktop with water mixing unit 4" (100 mm),  
C-Board, wall or back to back installation.

**Short Form Specification**

Item No. \_\_\_\_\_

Unit to be Electrolux S90 4" (100 mm) worktop with water mixing unit. Unit to have raised rear c-board for against the wall or back to back unit installation. Body and internal structure of unit entirely in 304 Stainless steel. Unit to be installed between other S90 modular units. "Lasertec" connection system permits units to be connected to each other creating a seamless work top.

Covered by Electrolux Platinum Star™ Service Program two-year parts and one-year labor warranty, installation start-up and performance check-up after one year from installation.

**Main features**

- Water mixing unit for hot and cold water.
- Stainless steel top is reinforced to provide a heavy duty work surface under any load.
- Heavy duty internal frame in 304 type Stainless steel.
- Unit installed between other S90 modular units.
- Raised rear C-Board permits unit to be connected up against the wall for better hygiene.
- "Lasertec connection system" creates seamless work top when units are connected to each other.



Approval: \_\_\_\_\_



**Electrolux**

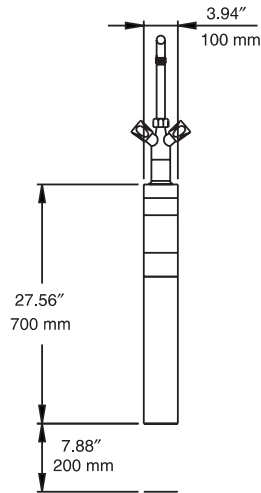
**Modular Cooking Range Line  
S90 Worktop with water mixing unit 4", C-Board, 1 Side**

**Electrolux Professional, Inc.**

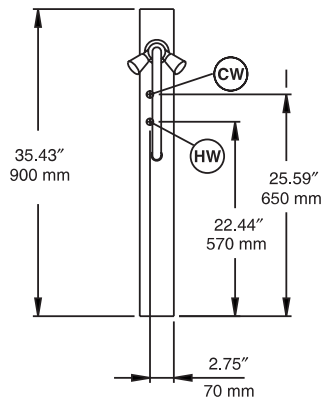
[www.electroluxusa.com/professional](http://www.electroluxusa.com/professional)

3225 SW 42nd Street, Fort Lauderdale, Florida, 33312 • Telephone Number: 866-449-4200 • Fax Number: 954-327-6789

**Front View**

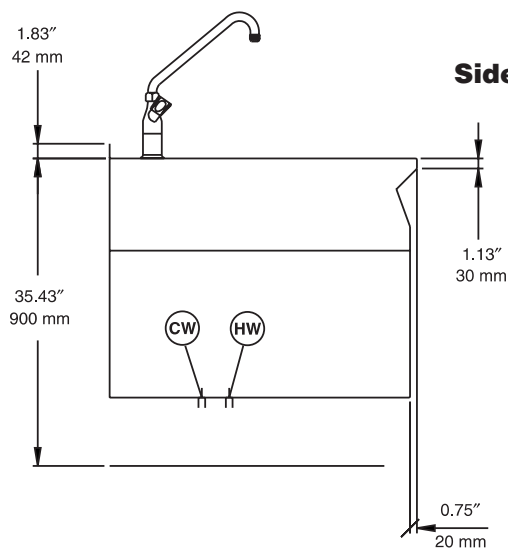


**Top View**



HW = Hot Water Inlet  
CW = Cold Water Inlet

**Side View**



### Water

Incoming Hot Water line size: 1/2"

Incoming Cold Water line size: 1/2"

### Key Information

Net weight:	110 lb (50 kg)
Shipping weight:	154 lb (70 kg)
Shipping width:	11-13/16" (1200 mm)
Shipping height:	43-5/16" (1100 mm)
Shipping depth:	43-5/16" (1100 mm)
Shipping volume:	12.71 cu.ft (0.36 m <sup>3</sup> )