



## Modular Cooking Range Line S90 Neutral Worktop

ITEM # \_\_\_\_\_

MODEL # \_\_\_\_\_

PROJECT NAME # \_\_\_\_\_

SIS # \_\_\_\_\_

AIA # \_\_\_\_\_



### Modular Cooking Range Line S90 Neutral Worktop

584166 S90 Neutral Worktop

### Short Form Specification

Item No. \_\_\_\_\_

Unit to be Electrolux S90 Neutral Worktop. Unit length to be \_\_\_\_". Unit to be installed \_\_\_\_ against wall with C-Board or to be installed in \_\_\_\_ island type installations. Body and internal structure of unit entirely in 304 Stainless steel. Unit to be installed between other S90 modular units. "Lasertec" connection system permits units to be connected to each other creating a seamless work top.

Covered by Electrolux Platinum Star™ Service Program two-year parts and one-year labor warranty, installation start-up and performance check-up after one year from installation.

### Main features

- Stainless steel top is reinforced to provide a heavy duty work surface under any load.
- Heavy duty internal frame in 304 type Stainless steel.
- Unit installed between other S90 modular units.
- "Lasertec connection system" creates seamless work top when units are connected to each other.



Approval: \_\_\_\_\_

**Electrolux Professional, Inc.**

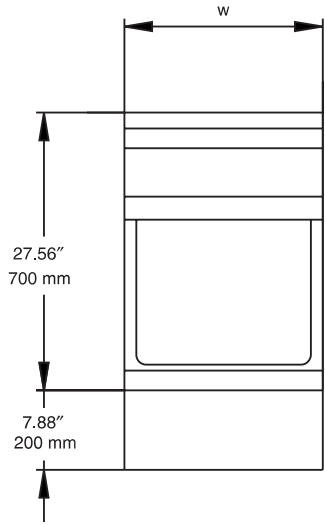
[www.electroluxusa.com/professional](http://www.electroluxusa.com/professional)

3225 SW 42nd Street, Fort Lauderdale, Florida, 33312 • Telephone Number: 866-449-4200 • Fax Number: 954-327-6789

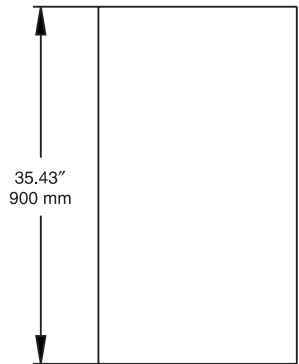


Modular Cooking Range Line  
S90 Neutral Worktop

**Front View**



**Top View**



**Side View**

