



ITEM # _____

MODEL # _____

PROJECT NAME # _____

SIS # _____

AIA # _____

Modular Cooking Range Line S90 Neutral Worktop



Modular Cooking Range Line S90 Neutral Worktop

584166 (WNORABOOOO) S90 Neutral Worktop
island installation

584857 (WNORAFOOOO) S90 Neutral Worktop with
c-board

Short Form Specification

Item No. _____

Unit to be Electrolux S90 Neutral Worktop. Unit length to be ____".
Unit to be installed ____ against wall with c-board or to be
installed in ____ island type installations. Body and internal
structure of unit entirely in 304 stainless steel. Unit to be
installed between other S90 modular units. "Lasertec"
connection system permits units to be connected to each other
creating a seamless work top.

Covered by Electrolux Platinum Star® Service Program two-
year parts and one-year labor warranty, installation start-up and
performance check-up after one year from installation.

Main features

- Stainless steel top is reinforced to provide a heavy duty work surface under any load.
- Heavy duty internal frame in 304 type stainless steel.
- Unit installed between other S90 modular units.
- "Lasertec connection system" creates seamless worktop when units are connected to each other.



Approval: _____

Electrolux Professional, Inc.

www.electroluxusa.com/professional

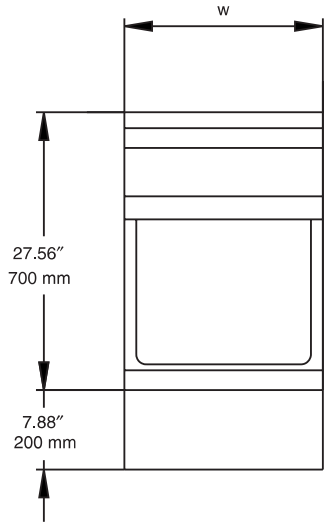
10200 David Taylor Drive, Charlotte, NC 28262 • Telephone Number: 866-449-4200 • Fax Number: 704-547-7401

KaTom Restaurant Supply, Inc.

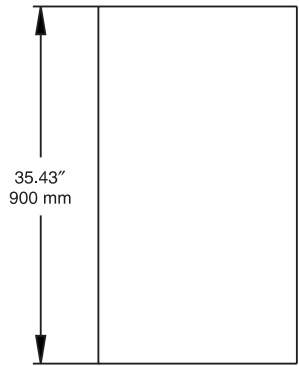


Modular Cooking Range Line
S90 Neutral Worktop

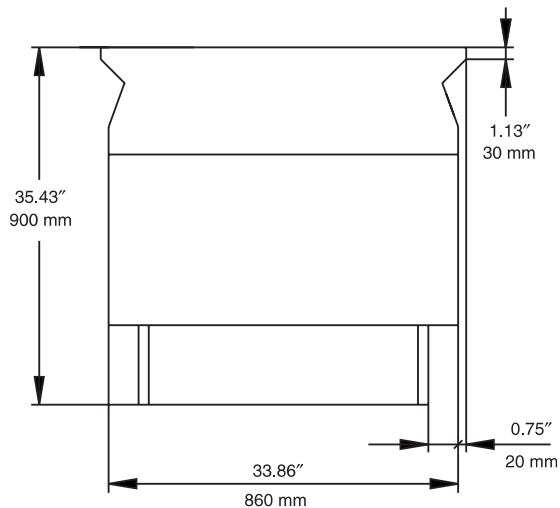
Front View



Top View



Side View



**Modular Cooking Range Line
S90 Neutral Worktop**

The company reserves the right to make modifications to the products without prior notice. All information correct at time of printing.

12-18-10