



# Manual Tomato Slicer CT6

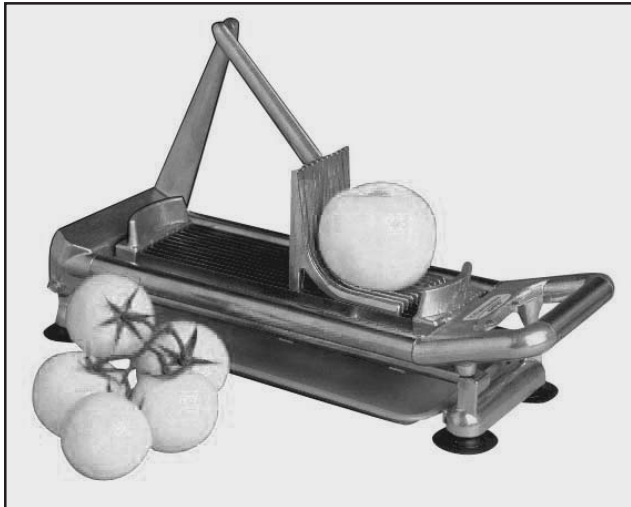
ITEM # \_\_\_\_\_

MODEL # \_\_\_\_\_

PROJECT NAME # \_\_\_\_\_

SIS # \_\_\_\_\_

AIA # \_\_\_\_\_



## Manual Tomato Slicer CT6

601443 (CT6U) Tomato Slicer, 1/4" cutting blades,  
11 slices per tomato

### Short Form Specification

Item No. \_\_\_\_\_

Unit to be Electrolux Tomato Slicer. Thanks to its small tabletop design, it is easy to handle and to position. Slices tomatoes in one fluid motion. Easy to dismantle and clean. Wide selection of interchangeable blade assemblies.



Approval: \_\_\_\_\_

### Main features

- Slice evenly and cleanly.
- Table stand with 4 suction pads
- Dishwasher safe.
- Easy dismantling without any tool
- Easy Cleaning
- Dimensions: (HxLxW): 9.4" x 16.8" x 5.7"
- Approx. shipping weight—9 lbs
- 2 year parts warranty, 1 year labor.

### Optional Accessories

- Tipper support for tomato slicer (PNC 653282)
- Blade assembly for 3/16" tomato slicer (PNC 653104)
- Blade assembly for 1/4" tomato slicer (PNC 653100)
- Blade assembly for 3/8" tomato slicer (PNC 653107)
- Tomato guide for 3/16" slicer (PNC 653262)
- Tomato guide for 1/4" slicer (PNC 653099)
- Tomato guide for 3/8" slicer (PNC 653444)



Manual Tomato Slicer  
CT6

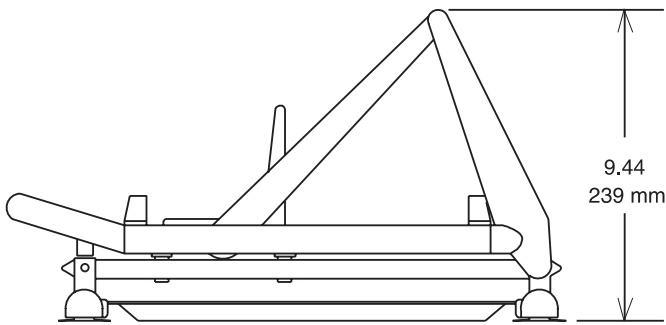
**Electrolux Professional, Inc.**

[www.electroluxusa.com/professional](http://www.electroluxusa.com/professional)

10200 David Taylor Drive, Charlotte, NC 28262 • Telephone Number: 866-449-4200 • Fax Number: 704-547-7401

KaTom Restaurant Supply, Inc.

**Front View**



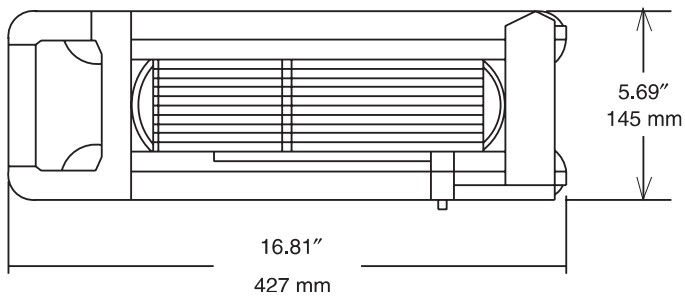
### Electric

None

### Key Information

None

**Top View**



**Manual Tomato Slicer  
CT6**

The company reserves the right to make modifications to the products without prior notice. All information correct at time of printing.  
12-16-10