

## TR-260 High Productivity Food Processor

ITEM # \_\_\_\_\_  
 MODEL # \_\_\_\_\_  
 PROJECT NAME # \_\_\_\_\_  
 SIS # \_\_\_\_\_  
 AIA # \_\_\_\_\_



### TR-260 High Productivity Food Processor

603286 (TR260-29) TR-260 High Productivity Food Processor  
 208-240 V/3p/60Hz

### Short Form Specification

Item No. \_\_\_\_\_  
 Unit to be Electrolux TR260-29 TR-260 High Productivity Food Processor. Electrical characteristics to be 208-240 V THREE-phase operation with 2 speeds at 325/650 rpm. Vegetable prep attachment especially designed for quality, continuous feed slicing, dicing, shredding, grating and julienne with 33 different processing plates. Housing constructed of Stainless steel with rubber feet on base. Removable top cover is burnished aluminum. Feed hopper, pusher and deflector plate of aluminum.



L15-20P

Approval: \_\_\_\_\_

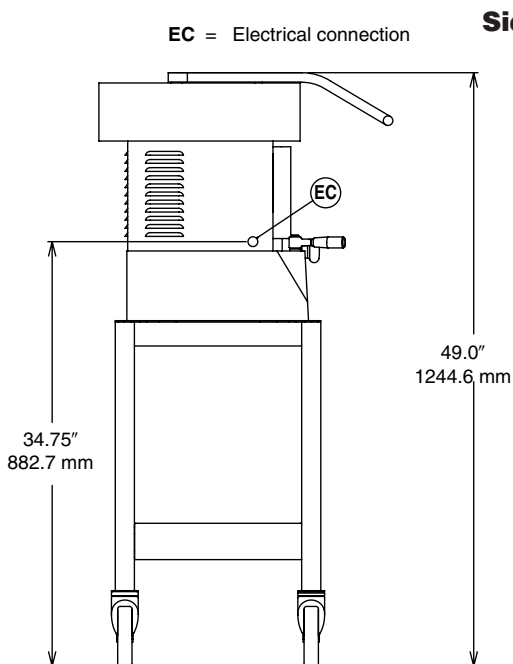
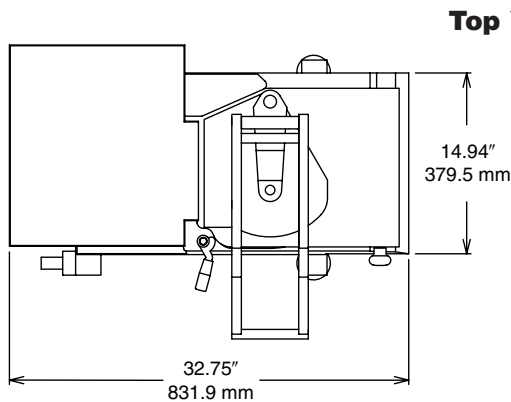
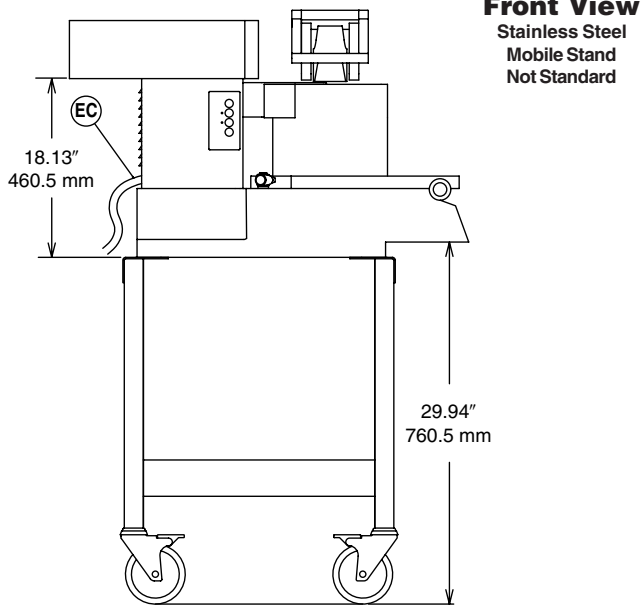
### Main features

- Continuous feed model.
- Power: 2-2/3 HP—Three phase
- 2 speed: 325/650 rpm plate speed.
- 2 kW motor
- Red OFF, Green ON Buttons
- Planetary Drive
- Large Round and Large Half Moon Feed Hopper (optional Automatic Feed Hopper accessory)
- Hopper easily removed for cleaning.
- Optional Stainless Steel Mobile Stand accessory.
- All Aluminum Hopper and Housing
- Magnetic safety system and motor brake. Prevents machine from running when pusher plate swings away or is open.
- Automatic restart of the machine with the half-moon shaped pusher in position.
- Delivered with :
  - All aluminum vegetable prep attachment with a half moon hopper (L x W x H: 9" x 4.5" x 7.7") and a cylindrical hopper (diameter 2.75").
- Complete selection of 33 blades and disks available.
- Processor has dicing and french fry capabilities.
- Dimensions: (H x L x W): 18.1" x 15" x 29.5"
- Approx. shipping weight—146 lbs
- ETL electrical and sanitation listed/CETL (Canada).
- NEMA # : L15-20P
- 2 year parts warranty, 1 year labor.

### Optional Accessories

- Automatic Hopper (PNC 653037)
- S/S Mobile Stand (PNC 653017)
- Long Vegetable Accessory for Lever Hopper with 3 Tubes (PNC 653223)
- Lever Feed Hopper (PNC 653510)
- S/S Blade Rack (PNC 653212)
- Slicing Blade 5/8" (16 mm) (PNC 653193)
- Slicing Blade 5/16" (8 mm) (PNC 653191)
- Slicing Blade 3/8" (10 mm) (PNC 653192)
- Slicing Blade 3/16" (5 mm) (PNC 653189)
- Slicing Blade 1/8" (3 mm) (PNC 653173)
- Slicing Blade 1/4" (6 mm) (PNC 653190)
- Slicing Blade 1/32" (1 mm) (PNC 653188)
- Slicing Blade 1/16" (2 mm) (PNC 653172)
- Grating Blade for Parmesan (PNC 653216)
- Grating Blade for Nuts, Chocolate, Breadcrumbs (PNC 653220)
- Grating Blade 9/32" (7 mm) (PNC 653215)
- Grating Blade 5/32" (4 mm) (PNC 653194)
- Grating Blade 1/8" (3 mm) (PNC 653175)
- Grating Blade 1/16" (2 mm) (PNC 653174)
- French Fry/Julienne Blade 5/32" (4 x 4 mm) (PNC 653197)
- French Fry/Julienne Blade 5/16" (8 x 8 mm) (PNC 653199)
- French Fry/Julienne Blade 3/8" (10 x 10 mm) (PNC 653200)
- French Fry/Julienne Blade 1/8" (3 x 3 mm) (PNC 653196)
- French Fry/Julienne Blade 1/4" (6 x 6 mm) (PNC 653198)
- French Fry/Julienne Blade 1/16" (2 x 2 mm) (PNC 653195)
- Dicing Grid 5/8" (16 mm) (PNC 653052)
- Dicing Grid 3/8" (10 mm) (PNC 653051)
- Dicing Grid 3/4" (20 mm) (PNC 653053)
- Dicing Grid 15/16" (25 mm) (PNC 653054)
- Dicing Grid 1/2" (12 mm) (PNC 653301)
- Dicing Grid 1-1/4" (32 mm) (PNC 653055)
- Crinkle Cut Blade 1/8" (3 mm) (PNC 653218)
- Crinkle Cut Blade 1/4" (6 mm) (PNC 653219)
- Crinkle Cut Blade 1/16" (2 mm) (PNC 653217)
- Cabbage Slicing Blade for Julienne 9/32" (7 mm) (PNC 653014)
- Cabbage Slicing Blade 1/8" (3 mm) (PNC 653228)
- Cabbage Slicing Blade 1/32" (1 mm) (PNC 653009)
- Cabbage Slicing Blade 1/16" (2 mm) (PNC 653227)

# Electrolux<sup>TR-260</sup> High Productivity Food Processor



EC = Electrical connection

## Electric

### Supply voltage:

603286 (TR260-29) 208-240 V/3p/60Hz – 8.3A - 2-2/3HP

## Key Information

- Long Vegetable Accessory for Lever Hopper with 3 Tubes (PNC 653223)
    - Three Cylindrical hopper diameter:
      - 2" (50 mm)
      - 2.3" (59,5 mm)
      - 2.75" (70 mm)
  - Automatic Hopper (PNC 653037): cylindrical hopper diameter 11" (280 mm)
- Overall Dimensions And Weights of Optional Accessories:**
- Dimensions of the machine with automatic hopper
    - without mobile stand: 29.5" (750 mm) × 19.3" (490 mm) × 26.8" (680 mm)
    - with mobile stand: 29.5" (750 mm) × 19.3" (490 mm) × 53" (1345 mm)
  - Dimensions of the machine with standard hopper
    - without mobile stand: 33.8" (860 mm) × 21" (535 mm) × 24.2" (615 mm)
    - with mobile stand: 33.8" (860 mm) × 21" (535 mm) × 50.4" (1280 mm)
  - Packaged dimensions L × W × H (mm):
    - TR260 motor unit: 31.5" (800 mm) × 20.5" (520 mm) × 22.8" (580 mm)
    - Net weight: 108 lbs - Packaged weight: 128 lbs
    - Automatic hopper: 31.5" (800 mm) × 20.5" (520 mm) × 22.8" (580 mm)
    - Net weight: 33 lbs - packaged weight: 51 lbs
    - Standard hopper + container: 22" (560 mm) × 19.3" (490 mm) × 24" (610 mm)
    - Net weight: 40 lbs - Packaged weight: 48.5 lbs
    - Cabbage hopper: 22" (560 mm) × 19.3" (490 mm) × 24" (610 mm)
    - Net weight: 33 lbs - Packaged weight: 42 lbs
  - Mobile Stand packaged dimensions: 29.5" (750 mm) × 19.7" (500 mm) × 8" (200 mm)

**TR-260 High Productivity  
Food Processor**

The company reserves the right to make modifications to the products without prior notice. All information correct at time of printing.

12-15-10