



Electrolux

Food Processor
K180-Vertical Cutter-Mixer
18.5qt, 2 speed-s/s bowl

ITEM # _____
MODEL # _____
NAME # _____
SIS # _____
AIA # _____



Electrolux



Food Processor

K180-Vertical Cutter-Mixer 18.5qt, 2 speed-s/s bowl

603302 (K180FU)

K180FU S/S CUTTER-MIXER 18.5QT

Short Form Specification

Item No.

K180FU-Vertical Cutter/Mixer, bench-style, two speed, 18.5 quart bowl capacity, removable bowl design, stainless steel bowl with clear lexan lid, stainless steel housing, 1800 or 3600 rpm, 4-3/4 HP, 208-240v/60/3, 13.9 amps, 3.6 kW, NEMA L15-20P

Main Features

- Cutter-mixer allows fast liquidizing, mixing, mincing, chopping and pastry-making.
- Large central rotating shaft that allows liquids to be mixed without overflowing.
- Angled blades and conical base of the bowl ensure consistent mixing.
- Lid with opening to add ingredients in mid-cycle.
- Base fixed cover for a better handling.
- All parts in contact with food are removable without the use of tools, completely dismountable and dishwasher safe.
- Pulse function to coarse chopping.
- Productivity suitable for 100-300 meals per service.
- Delivered with:
 - 18.5qt stainless steel bowl with smooth edge three "S" blades rotor included.

Construction

- 304 AISI stainless steel bowl with leak resistant spout and watertight seal and handles.
- 2 speeds: 1500 and 3000 rpm.
- IP65 touch button control panel.
- Transparent polycarbonate cover incorporates a magnetic contact safety system.
- Power: 3600 watts.

Included Accessories

- 1 of Smooth blade rotor for 18.5 qt Cutter/ Mixer bowl PNC 653119
- 1 of 18.5 qt stainless steel bowl PNC 653272

Optional Accessories

- Stainless steel mobile stand PNC 653017
- Smooth blade rotor for 18.5 qt Cutter/Mixer bowl PNC 653119
- Serrated blade rotor for 18.5 qt Cutter/ Mixer bowl PNC 653120
- 18.5 qt stainless steel bowl PNC 653272
- Serrated blade rotor for meat for 17,5 lt cutter mixer PNC 653539



APPROVAL: _____

Electrolux Professional, Inc.

www.electroluxusa.com/professional

10200 David Taylor Drive, Charlotte, NC 28262 • Telephone Number: 866-449-4200 • Fax Number: 704-547-7401

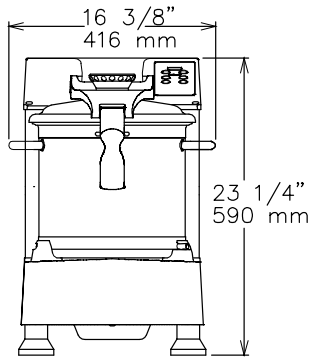
K180-Vertical Cutter-Mixer 18.5qt, 2 speed-s/s bowl
Food Processor



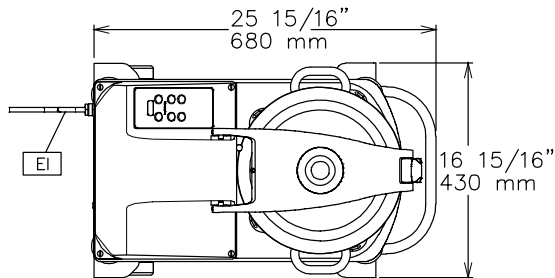
Electrolux

Food Processor K180-Vertical Cutter-Mixer 18.5qt, 2 speed-s/s bowl

Front

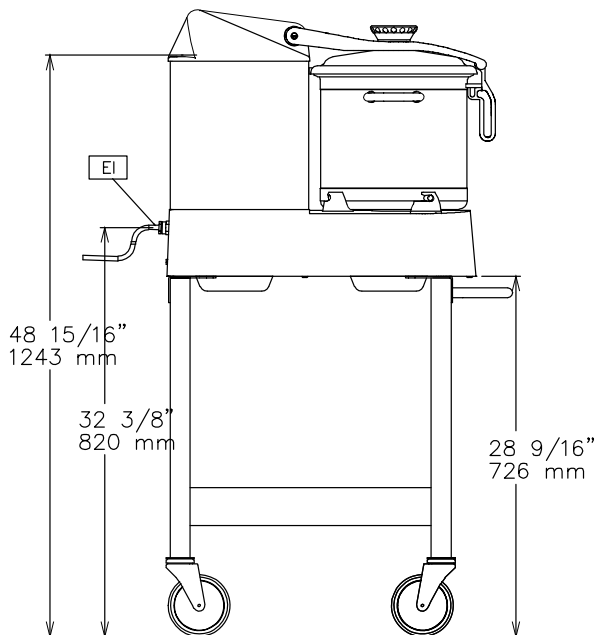


Top



EI = Electrical connection

Side



Electric

Supply voltage:

603302 (K180FU) 208...240 V/3 ph/60 Hz

Connected load:

3.6 kW

Total Watts:

3.6 kW

Key Information:

External dimensions, Width: 16 3/8" (416 mm)

External dimensions, Depth: 25 15/16" (658 mm)

External dimensions, Height: 23 3/4" (603 mm)

Shipping width: 21 5/8" (550 mm)

Shipping depth: 31 1/2" (800 mm)

Shipping height: 31 1/2" (800 mm)

Shipping weight: 165 lbs (75 kg)

**Food Processor
K180-Vertical Cutter-Mixer 18.5qt, 2 speed-s/s bowl**

The company reserves the right to make modifications to the products without prior notice. All information correct at time of printing.

2014.06.09