



ITEM # \_\_\_\_\_

MODEL # \_\_\_\_\_

PROJECT NAME # \_\_\_\_\_

SIS # \_\_\_\_\_

AIA # \_\_\_\_\_

## K70 Vertical Cutter-Mixer



### K70 Vertical Cutter-Mixer

**603361 (K4702V-02)** K70 2-speed  
208 V/3p/60Hz – 4.8A

**603361 (K4702VV-02)** K70 Variable Speed  
120 V/1p/60Hz – 6.9A

### Short Form Specification

Item No. \_\_\_\_\_

Unit to be Electrolux K4702V-02 K70 Vertical Cutter-Mixer. Electrical characteristics to be 208 V, Three-phase operation with 2-speed at 1800 or 3500 rpm. Electrolux K4702VV-02 K70 Vertical Cutter-Mixer. Electrical characteristics to be 120 V, Single-phase operation with variable speeds from 300 to 3300 rpm. Vertical Cutter-Mixer designed for vertical cutting and mixing in 7.0 quart quantities: puree, mix, chop, blend, mix and knead dough. A compact design for operator convenience the K70 occupies minimal counter space. Housing constructed of Stainless steel with rubber feet on base.

### Main features

- Power: 1-2/3HP for Two-speed Model and 2HP for Variable Speed Model.
- 1800/3500 RPM for Two-speed Model and 300 – 3300 RPM for Variable Speed Model.
- 1.2 kW for Two-speed Model and 1.5 kW for Variable Speed Model.
- Red OFF, Green ON, and PULSE Buttons
- Compact Design
- Belt Drive
- All Stainless Steel Bowl
- Magnetic safety system and motor brake. Prevents machine from running when bowl lid swings away from magnetic switch or is open.

### Delivered with :

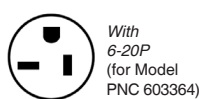
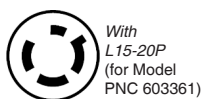
- 7.0 Qt. Stainless Steel bowl with microtooth, edge “S” blade included.
- Complete selection of accessories available.
- Dimensions: (HxLxW): 18.5” x 16.3” x 10”
- Approx. shipping weight—53 lbs
- NEMA L15-20P for Two-speed Model and NEMA 6-20P for Variable Speed Model.
- 2 year parts warranty, 1 year labor.

### Included Accessories:

- Microtooth Blade Rotor - 7.0 Qt. VCM PNC 653584
- Lid + Bowl Scraper for 7.0 Qt. VCM PNC 653592
- 7.0 Qt. Stainless Bowl PNC 653593

### Optional Accessories:

- Smooth Blade Rotor - 7.0 Qt. VCM PNC 653583
- Microtooth Blade Rotor - 7.0 Qt. VCM PNC 653584
- Lid + Bowl Scraper for 7.0 Qt. VCM PNC 653592
- 7.0 Qt. Stainless Bowl PNC 653593
- Smooth blade rotor (new S shape) for 7.0qt bowl PNC 653712



Approval: \_\_\_\_\_

### Electrolux Professional, Inc.

[www.electroluxusa.com/professional](http://www.electroluxusa.com/professional)

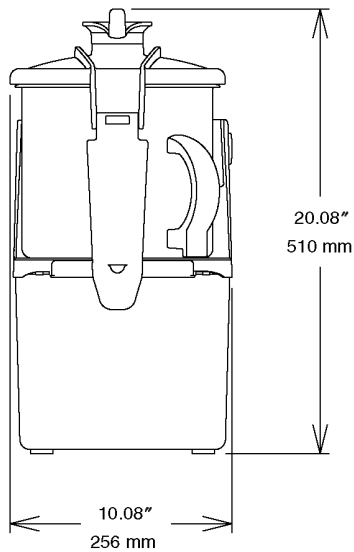
10200 David Taylor Drive, Charlotte, NC 28262 • Telephone Number: 866-449-4200 • Fax Number: 704-547-7401

KaTom Restaurant Supply, Inc.

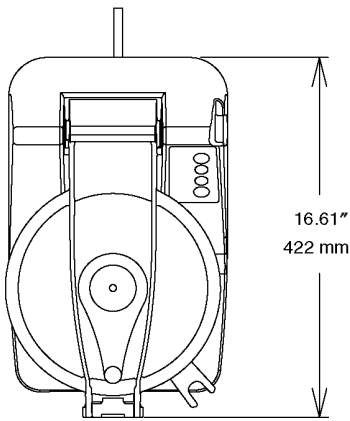


K70 Vertical Cutter-Mixer

**Front View**

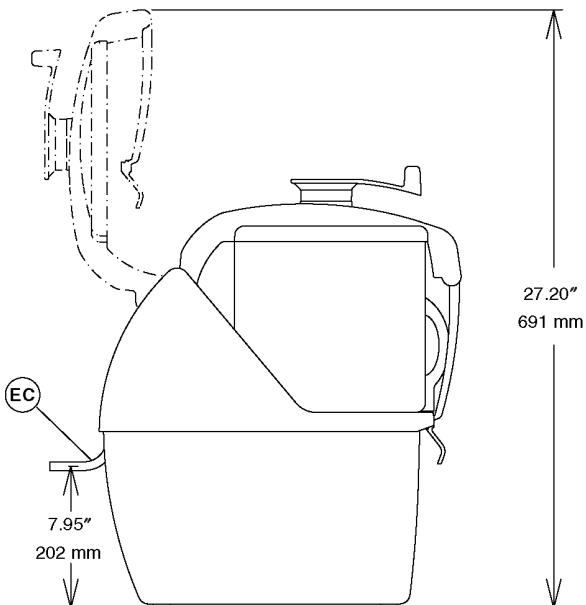


**Side View**



EC = Electrical connection

**Top View**



### Electric

**Supply voltage:**

603361 (K4702V-02) 208 V/3p/60Hz – 4.8A

603364 (K4702VV-02) 120 V/1p/60Hz – 6.9A

### Key Information

**Uses of Food Processor**

**MEAT**

Rough mincing

Pates

Small sausages

Large sausages

Minced meat

Shellfish

Fine mincing

Stuffing

Mousses

**PASTRY**

Shortcrust

Cold water paste

Flan

**POWDER**

Almonds

Hazelnuts

**FRUITS AND VEGETABLES**

Purees

Mousses

Syrups

**CHOPPING**

Parsley

Onions

**K70 Vertical Cutter-Mixer**

The company reserves the right to make modifications to the products without prior notice. All information correct at time of printing.

11-19-12