



Electrolux

Modular Cooking Range Line High Speed Sandwich Press (HSSP)

ITEM # _____

MODEL # _____

NAME # _____

SIS # _____

AIA # _____



Modular Cooking Range Line High Speed Sandwich Press (HSSP)

603855 (HSPPUSAT) High Speed Sandwich Press (HSSP) adjustable upper plate – 208V/1ph/60Hz

Short Form Specification

Item No.

The Electrolux High Speed Sandwich Press (HSSP) is the fastest sandwich press in the world. Using breakthrough Microwave technology in combination with Infrared technology, cooking times can be reduced up to 75% while delivering superior sandwich quality. You can perfectly toast and heat up the core of your favorite sandwich in less than 60 seconds.*

Place your sandwich on the cooking surface and close the lid. The High Speed Sandwich Press will self adapt the upper grilling plate and automatically open the lid for you when the sandwich is ready. When not in operation, the High Speed Sandwich Press will automatically enter a standby mode reducing the energy consumption.

*Cooking times different based on sandwich thickness and protein/vegetable mix content.

Main Features

- Adjustable upper plate - 5 levels.
 - 0 chocks 0.5" (13mm)
 - 1 chock 1" (24mm)
 - 2 chocks 1.37" (35mm)
 - 3 chocks 1.81" (46mm)
 - 4 chocks 2.24" (57mm)
- AISI 304 S/S lid and top plate.
- AISI 430 S/S back cover and galvanized steel bottom cover.
- Aluminum ribbed top contact plate 8 7/16" x 8 7/16"(215 x 215 mm) treated with a special non-stick coating.
- Smooth 4 mm thick quartz glass bottom cooking surface 9 13/16" x 9 13/16"(250 x 250 mm).
- Independent temperature setting of the top and bottom plates from 320 to 536°F (150 to 250 °C) top and from 320 to 536°F (150 to 230 °C) bottom.
- Automatic lifting of the lid at the end of the cooking cycle.
- Electronic control with digital LED display.
- Countdown display and buzzer at the end of the cycle.
- 2 temperature probes for an independent control of the top and bottom plate temperature. Two 900W magnetrons for microwave.
- Removable top front panel and dismountable top cooking plate for better cleanability.
- The 4 pre set programs can be adjusted by the user. The programmable parameters are:
 - top plate temperature
 - bottom plate temperature
 - total duration of each cycle
 - duration of microwaves within each cycles
- Included accessories: cleaning brush and set of 24 baking paper sheets.
- IP24 protected (Protected from touch by hands greater than 12 millimeters and protected from water spray in any direction).
- ETL safety approved, complies with UL 923 and CSA 22.2 listings.
- ETL sanitation approved, complies with NSF/ANSI 4 listing.

Included Accessories

- 1 of Cleaning Brush for HSSP PNC 653623
- 1 of Set of 24 Baking Paper Sheets for HSSP PNC 653694

Optional Accessories

- Cleaning Brush for HSSP PNC 653623
- Spatula for HSSP PNC 653625
- Set of 24 Baking Paper Sheets for HSSP PNC 653694



APPROVAL:

Electrolux Professional, Inc.

www.electroluxusa.com/professional

10200 David Taylor Drive, Charlotte, NC 28262 • Telephone Number: 866-449-4200 • Fax Number: 704-547-7401

KaTom Restaurant Supply, Inc.



Electrolux

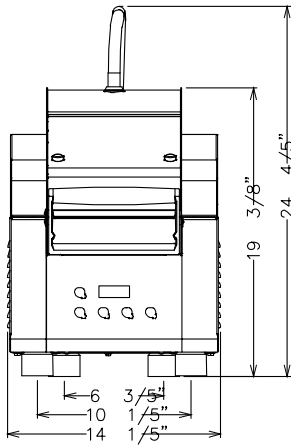
Modular Cooking Range Line
High Speed Sandwich Press (HSSP)



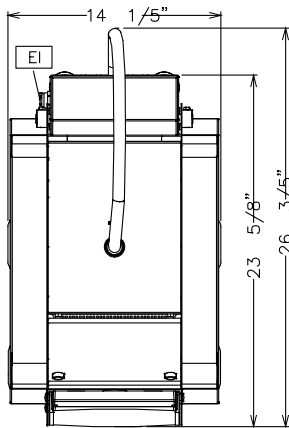
Electrolux

Modular Cooking Range Line High Speed Sandwich Press (HSSP)

Front

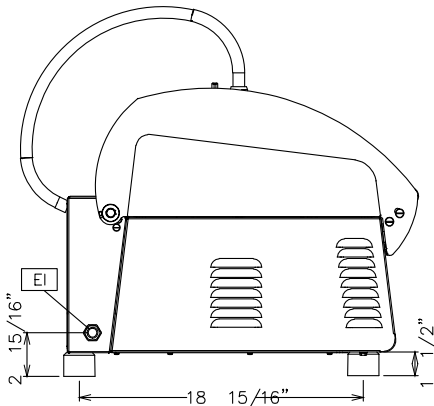


Top



EI = Electrical connection
V = Air vents

Side



Electric

Supply voltage:

603855(HSPPUSAT) 208 V/1 ph/60 Hz

Amps:

26

Total Watts:

5 kW

Plug type:

NEMA 6-30P

Motor electrical power:

Installation:

1" (25 mm) rear and 8" (200mm) between units when placed side-by-side inches

Clearance:

Key Information:

Front Plates Power: 0 - 0 kW (0 - 0 Btu/hr)

Back Plates Power: 0 - 0 kW (0 - 0 Btu/hr)

External dimensions, Width: 14 3/16" (361 mm)

External dimensions, Depth: 26 9/16" (675 mm)

External dimensions, Height: 24 13/16" (630 mm)

Net weight: 79 lbs (36 kg)

Shipping width: 17 3/4" (450 mm)

Shipping depth: 30 11/16" (780 mm)

Shipping height: 26 3/4" (680 mm)

Shipping weight: 119 lbs (54 kg)

Shipping volume: 8.43 ft³ (0.24 m³)

Modular Cooking Range Line High Speed Sandwich Press (HSSP)

The company reserves the right to make modifications to the products without prior notice. All information correct at time of printing.

2013.07.29