



ITEM # _____

MODEL # _____

PROJECT NAME # _____

SIS # _____

AIA # _____

air-o-chill®

Blast Chiller-Freezer 201 (220 lbs.)



air-o-chill®

Blast Chiller-Freezer 201 (220 lbs.)

726341 (AOFPP20RRU) Blast Chiller-Freezer 201 (220 lbs.)
208 V/3p/60Hz – 20A

Short Form Specification

Item No. _____

Unit to be Electrolux air-o-chill® Blast Chiller-Freezer 201. Chilling load capacity to be 220 lbs. (100 kg) from 160 °F to 39 °F in 90', freezing load capacity to be 187 lbs. (85 kg) from 160 °F to 0 °F in max 240' on up to 20 Steam table pans. Unit shall feature Micro-processor controlled Soft-chilling, Hard-chilling and Blast-freezing cycles. At the end of each Blast-chilling- or freezing cycle the unit shall automatically activate a holding cycle. Defrost cycle is automatically and intelligently activated: ice build up on evaporator is automatically detected and defrost activated to maximize performance efficiency. Manual activation of defrost cycle is possible. Unit does not have any heat limitation and can accept food directly from oven at cooking temperature. The unit features both time and core temperature controlled chilling cycles. One core temperature probe is provided as standard, up to three are available. All 304 stainless steel construction. Requires remote refrigeration (17 kW or 6.0 hp).

High density CFC and HCFC cyclopentane insulation material.

EKIS, pc-controlled HACCP monitoring software package available at additional cost.

Half day chef training included.

Covered by Electrolux Platinum Star® Service Program two-year parts and one-year labor warranty, installation start-up and performance check-up after one year from installation.



Approval: _____

Main features

- Load capacity: 220 lbs (100 kg) in chilling, 187 lbs (85 kg) in freezing.
- Will chill product from 160 °F to 39 °F or below in less than 90 minutes.
- Will freeze product from 160 °F to 0 °F or below in less than 240 minutes.
- Easy-to-use, electronic control panel. Fully programmable.
- Time or (automatic) core temperature controlled operation.
- Cruise control (PATENT PENDING): self-adjusting probe-driven chilling.
- Soft chill, Hard Chill and Blast Freeze modes.
- Auto hold at temperature reached at end of blast chilling or freezing cycle.
- Turbo cooling: non-stop mode (working temperature: from 39 to -32 °F).
- Pre-programmed ice cream hardening cycles.
- Standard equipped with one 3-sensor temperature probe.
- Automatic Intelligent and manual defrost modes.
- Display: large LED for temperature and time/core temperature read out.
- Audible alarms and visual indicators for food safety (HACCP) issues and separate audible and visual for unit malfunctions.
- During cycle, temperature and time is monitored.
- EKIS software (pc-based HACCP monitoring) requires optional board.
- On-board HACCP monitoring capable.
- Electrolux Platinum Star® Service package included

Construction

- Magnetic, easy-to-remove heated gaskets.
- Standard equipped with 63, adjustable legs.
- All 304 stainless steel construction.
- Seamless hygienic chilling chamber with all rounded corners for easy cleaning.
- Coated evaporator fins.
- Swing hinged front panel for easy service access to main components.
- Requires remote refrigeration (17 kW or 6.0 hp), supplied by third party.

Included Accessories

- One 3 sensor probe for air-o-chill® PNC 880212

Installation Accessories

- 1 extra sensor probe for air-o-chill® PNC 880213
- One 3 sensor probe for air-o-chill® PNC 880212
- External printer for HACCP PNC 880048
- Electronic board for HACCP through PC Network PNC 860183

Handling Accessories

- One 20 rack trolley for air-o-system® 201 (2.5" standard pitch) PNC 922007
- One 16 rack trolley for air-o-system® 201 (3" increased pitch) PNC 922010

Optional Accessories

- Single 304 stainless steel grid (12"x 20") PNC 922062
- Single 304 stainless steel full-size grid (21" x 26") PNC 922076



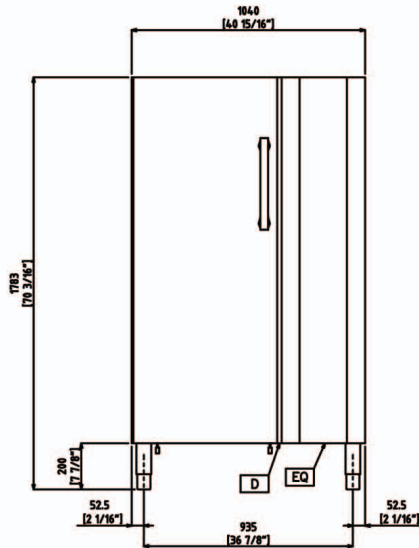
Blast Chiller-Freezer 201 (220 lbs.)
air-o-chill®

Electrolux Professional, Inc.

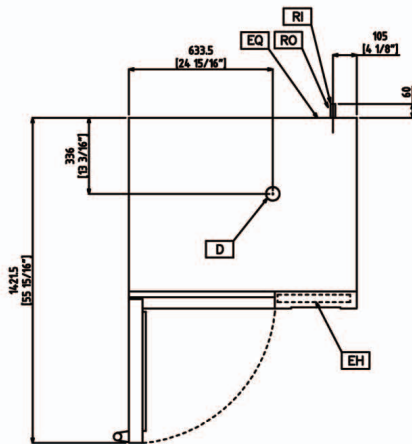
www.electroluxusa.com/professional

3225 SW 42nd Street, Fort Lauderdale, Florida, 33312 • Telephone Number: 866-449-4200 • Fax Number: 954-327-6789

Front View

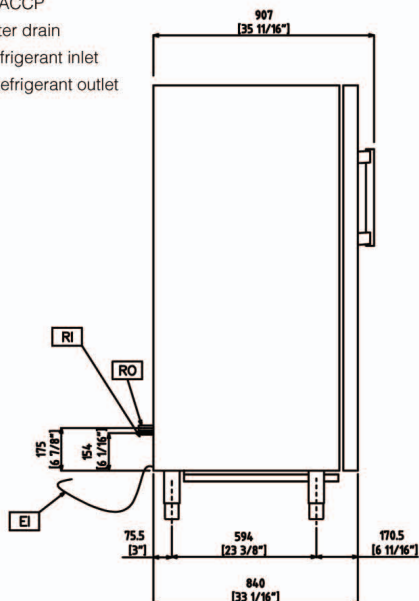


Top View



- EI = Electrical connection
- EQ = Equipotential screw
- EH = HACCP
- D = Water drain
- RI = Refrigerant inlet
- RO = Refrigerant outlet

Side View



Electric

Supply voltage:

726341 (A0FP20RRU) 208 V/3p/60Hz – 20A

Connected load:

1.44 kW

Circuit breaker required:

Refrigeration Data

Requires remote refrigeration: 6.0 hp (17 kW, 32,530 BTU),
 Evaporation T at -20 °F,
 Suction T at 90 °F.

Installation

Clearance: Clearance: 2" (5 cm) on sides and back.

Please see and follow detailed installation instructions provided with the unit

Capacity

Steam pans: 20 – 12" x 20"
Half size sheet pans: 20 – 13" x 18"
GN: 20 – 1/1 containers
Max load capacity: 220lbs. (100 kg)

Key Information

Net weight: 471 lbs. (214 kg)
Shipping weight: 500 lbs. (227 kg)
Shipping width: 39.4" (1000 mm)
Shipping height: 78.75" (2000 mm)
Shipping depth: 44.1" (1120 mm)
Shipping volume: 79.1 cu.ft. (2.24 m³)