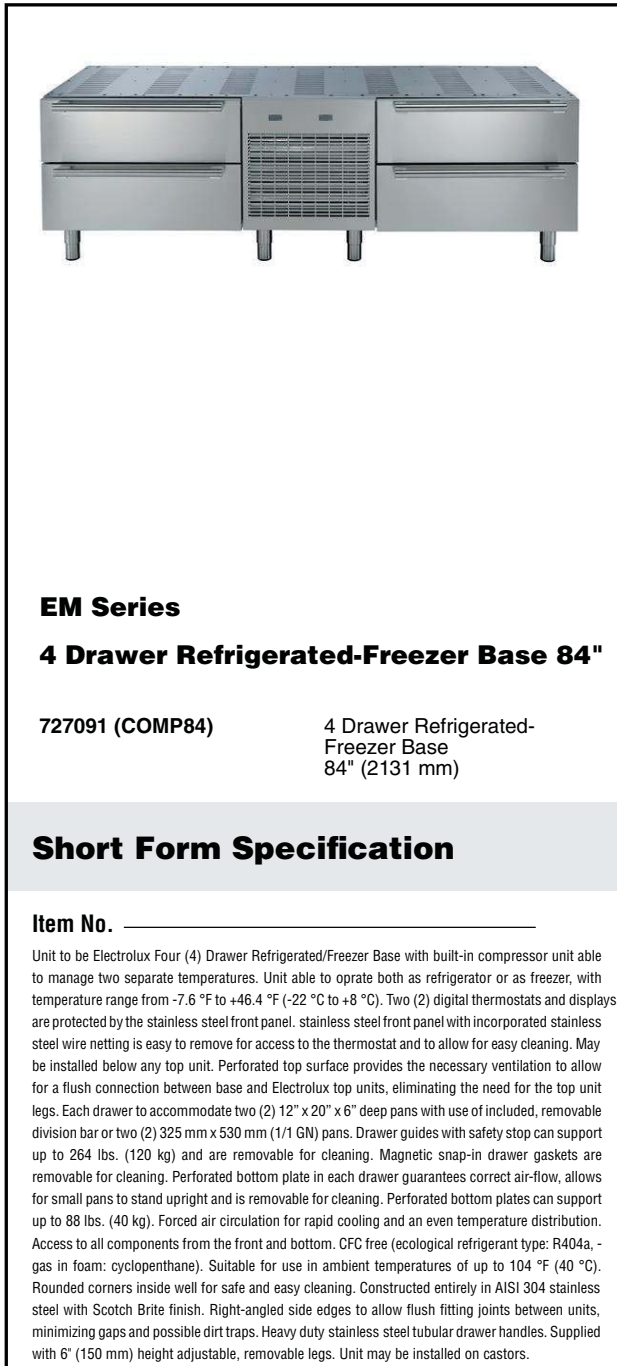




**EM Series  
4 Drawer Refrigerated-Freezer  
Base 84"**

ITEM # \_\_\_\_\_  
 MODEL # \_\_\_\_\_  
 PROJECT NAME # \_\_\_\_\_  
 SIS # \_\_\_\_\_  
 AIA# \_\_\_\_\_



**EM Series**

**4 Drawer Refrigerated-Freezer Base 84"**

727091 (COMP84)      4 Drawer Refrigerated-Freezer Base 84" (2131 mm)

**Short Form Specification**

Item No. \_\_\_\_\_

Unit to be Electrolux Four (4) Drawer Refrigerated/Freezer Base with built-in compressor unit able to manage two separate temperatures. Unit able to operate both as refrigerator or as freezer, with temperature range from -7.6 °F to +46.4 °F (-22 °C to +8 °C). Two (2) digital thermostats and displays are protected by the stainless steel front panel. stainless steel front panel with incorporated stainless steel wire netting is easy to remove for access to the thermostat and to allow for easy cleaning. May be installed below any top unit. Perforated top surface provides the necessary ventilation to allow for a flush connection between base and Electrolux top units, eliminating the need for the top unit legs. Each drawer to accommodate two (2) 12" x 20" x 6" deep pans with use of included, removable division bar or two (2) 325 mm x 530 mm (1/1 GN) pans. Drawer guides with safety stop can support up to 264 lbs. (120 kg) and are removable for cleaning. Magnetic snap-in drawer gaskets are removable for cleaning. Perforated bottom plate in each drawer guarantees correct air-flow, allows for small pans to stand upright and is removable for cleaning. Perforated bottom plates can support up to 88 lbs. (40 kg). Forced air circulation for rapid cooling and an even temperature distribution. Access to all components from the front and bottom. CFC free (ecological refrigerant type: R404a, - gas in foam: cyclopentane). Suitable for use in ambient temperatures of up to 104 °F (40 °C). Rounded corners inside well for safe and easy cleaning. Constructed entirely in AISI 304 stainless steel with Scotch Brite finish. Right-angled side edges to allow flush fitting joints between units, minimizing gaps and possible dirt traps. Heavy duty stainless steel tubular drawer handles. Supplied with 6" (150 mm) height adjustable, removable legs. Unit may be installed on castors.

**Main Features**

- Four (4) Drawer Refrigerated/Freezer Base with built-in compressor unit able to manage two separate temperatures.
- Unit able to operate both as refrigerator or as freezer, with temperature range from -7.6 °F to +46.4 °F (-22 °C to +8 °C).
- Two (2) digital thermostats and displays are protected by the Stainless Steel front panel.
- Stainless steel front panel with incorporated stainless steel wire netting is easy to remove for access to the thermostat and to allow for easy cleaning.
- May be installed below any top unit.
- Perforated top surface provides the necessary ventilation to allow for a flush connection between base and Electrolux top units, eliminating the need for the top unit legs.
- Each drawer to accommodate two (2) 12" x 20" x 6" deep pans with use of included, removable division bar or two (2) 325 mm x 530 mm (1/1 GN) pans.
- Drawer guides with safety stop can support up to 264 lbs. (120 kg) and are removable for cleaning.
- Magnetic snap-in drawer gaskets are removable for cleaning.
- Perforated bottom plate in each drawer guarantees correct air-flow, allows for small pans to stand upright and is removable for cleaning.
- Perforated bottom plate can support up to 88 lbs. (40 kg).
- Forced air circulation for rapid cooling and an even temperature distribution.
- Access to all components from the front and bottom.
- CFC free (ecological refrigerant type: R404a, - gas in foam: cyclopentane).
- Suitable for use in ambient temperatures of up to 104 °F (40 °C).
- Rounded corners inside well for safe and easy cleaning.
- Constructed entirely in AISI 304 stainless steel with Scotch Brite finish.
- Right-angled side edges to allow flush fitting joints between units, minimizing gaps and possible dirt traps.
- Heavy duty stainless steel tubular drawer handles.
- Supplied with 6" (150 mm) height adjustable, removable legs.
- Unit may be installed on castors.

**Optional Accessories**

- KIT 6 SWIVELLING WHEELS - 3 WITH BRAKE      PNC 880125



Approval: \_\_\_\_\_

**Electrolux Professional, Inc.**

[www.electroluxusa.com/professional](http://www.electroluxusa.com/professional)

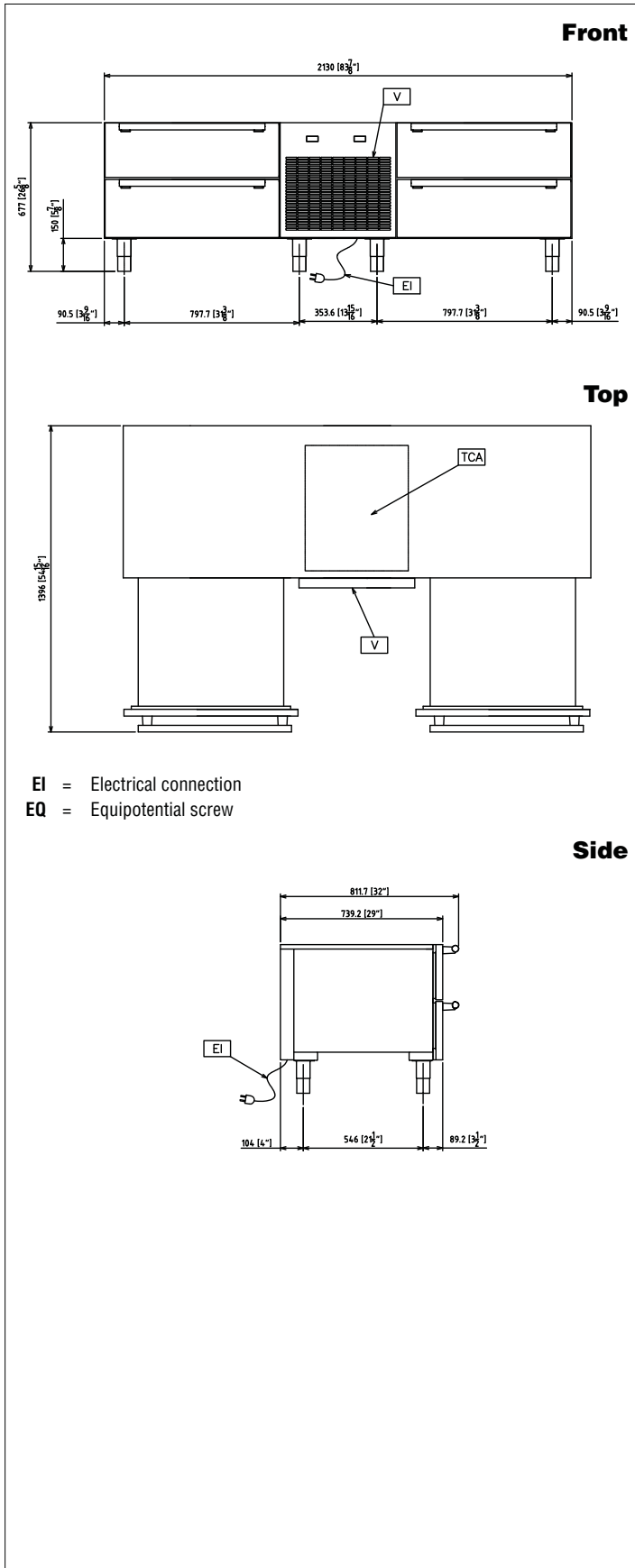
10200 David Taylor Drive, Charlotte, NC 28262 • Telephone Number: 866-449-4200 • Fax Number: 704-547-7401

**Electrolux**

**EM Series  
4 Drawer Refrigerated-Freezer Base 84"**



# EM Series 4 Drawer Refrigerated-Freezer Base 84"



## Electric

Supply voltage:	120 V/1N ph/60 Hz
Amps:	20
Total Watts:	1.95 kW

## Key Information

External dimensions, width	83 7/8" (2131 mm)
External dimensions, depth	32 1/64" (813 mm)
External dimensions, height	26 3/4" (680 mm)
Net weight:	397 lbs (180 kg)
Shipping width:	33 7/16" (850 mm)
Shipping depth:	88 9/16" (2250 kg)
Shipping height:	30 11/16" (780 mm)
Shipping weight:	430 lbs (195 kg)
Shipping volume:	52.67 ft <sup>3</sup> (1.49 m <sup>3</sup> )

## Refrigeration Data

Compressor power:	1/2 hp, self-contained
Refrigerant type:	R404a
Refrigeration power:	1958 W

EM Series  
4 Drawer Refrigerated-Freezer Base 84"

The company reserves the right to make modifications to the products without prior notice. All information correct at time of printing.

5-11-10