

500-PH/GD

HOT PIZZA HOLDING CABINET



• HALO HEAT . . . a controlled, uniform heat source that gently surrounds food to provide a better appearance, taste, and longer holding life.

- Close temperature tolerance and even heat application maintain ideal serving temperatures throughout the cabinet.
- Low energy usage.
- Holds pizza, hot hors d'oeuvres or pie, hot, fresh and flavorful up to several hours.
- Perfect for in-house pizza and customer carry-outs.
- Holds up to thirteen 16-inch (406mm) pizzas.
- Holding temperature gauge monitors inside air temperature.
- Lightweight aluminum exterior and carrying handles for easy handling.

Single compartment cabinet has one (1) ON/OFF adjustable thermostat, 60° to 200F (16° to 93°C); one (1) indicator light; and one (1) holding temperature gauge to monitor inside air temperature. Included are thirteen (13) chrome plated wire shelves with 2" (51mm) shelf spacing. Exterior cabinet has four (4) stainless steel carrying handles.

MODEL 500-PH/GD: Exterior cabinet of 20 gauge stainless steel exterior with glass door.

FACTORY INSTALLED OPTIONS

- Electrical Choices
 - ➔ Specify Voltage:
 - 125
 - 230
- Door Choices
 - ➔ Specify Door:
 - Solid Door, standard
 - Window Door, optional
 - ➔ Specify Door Swing:
 - Right-hand swing, standard
 - Left-hand swing, optional

ADDITIONAL FEATURES

- Caster stand assembly available.
- Leg stand assembly available.



W164 N9221 Water Street • P.O. Box 450 • Menomonee Falls, Wisconsin 53052-0450 • U.S.A.

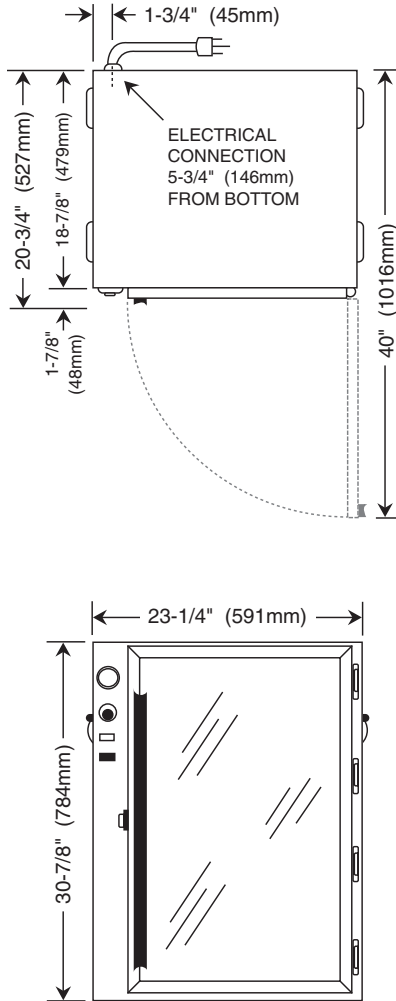
PHONE: 262.251.3800 800.558.8744 U.S.A./CANADA FAX: 262.251.7067 800.329.8744 U.S.A. ONLY

www.alto-shaam.com



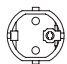


500-PH/GD

HOT PIZZA HOLDING CABINET



DIMENSIONS: H x W x D	
EXTERIOR:	30-7/8" x 23-1/4" x 20-3/4" (784mm x 591mm x 527mm)
INTERIOR:	27-7/8" x 17-3/8" x 17-1/2" (708mm x 441mm x 445mm)

ELECTRICAL						
VOLTAGE	PHASE	CYCLE/HZ	AMPS	kW	PLUG TYPE	PLUG DESCRIPTION
125	1	50/60	8.3	1.00		NEMA 5-15P, 15A-125V PLUG
230	1	50/60	4.1	0.95		NEMA 6-15P, 15A-250V PLUG (USA ONLY)
						CEE 7/7, 220-230V PLUG

PRODUCT CAPACITY
MAXIMUM: Thirteen (13) 16" (406mm) PIZZAS
MAXIMUM WEIGHT EACH PIZZA: 2 lbs. (.9kg)

INSTALLATION REQUIREMENTS	
Appliance must be installed level. It must not be installed in any area where it may be affected by steam, grease, dripping water, high temperatures, or any other severely adverse conditions.	

WEIGHT	
NET	76 lb (34kg)
SHIP	132 lb (60kg)
CARTON DIMENSIONS: (L x W x H)	
32" x 32" x 41" (813mm x 813mm x 1041mm)	

CLEARANCE REQUIREMENTS	
BACK	3" (76mm)
TOP	2" (51mm)
EACH SIDE	1" (25mm)

OPTIONS & ACCESSORIES	
<input type="checkbox"/> Caster Stand Assembly	15633
<input type="checkbox"/> Leg Stand Assembly	15634
<input type="checkbox"/> Shelf, Chrome plate, Wire	SH-2102