

**8774
Integrity® Pour-Over
Airpot Brewer**

Integrity®. It's more than just a name. It's a philosophy. It's a belief that building the world's finest coffee brewers means using the best designs and the best parts. Which is exactly what you'll find with this exceptional line. Each model features our exclusive Ready-to-Brew Light and our patented water delivery system. Two foolproof ways to a perfect pot of coffee each and every time. The Bloomfield Integrity series, honestly the best.

Features

- A high level of commonality of parts with other Bloomfield models will significantly reduce the inventory of spare parts required to service many body styles.
- Exclusive design provides **easy access to components** for quick service.
- **Ready-to-Brew light** indicates the proper water temperature to help eliminate the guesswork in brewing.
- **Premium quality thermostat** has a full-length stainless steel sensing bulb that recognizes water temperature extremely accurately and cycles less frequently.
- **Superior sprayhead design** spreads water over the coffee grounds, creating agitation and a floating action that completely saturates the coffee to capture the full, rich essence.
- **One-piece drawn stainless steel water tank** has a superior design for extended life.
- **Solid base** provides stability and strength.



Model 8774
with optional 8881

- High quality easy to clean **stainless steel construction**.

Accessories

Bloomfield offers a full line of airpot, thermal servers and coffee grinders.

POUR-OVER AIRPOT COFFEE BREWER



BLOOMFIELD

**MODEL
8774**



E9253



STD 4

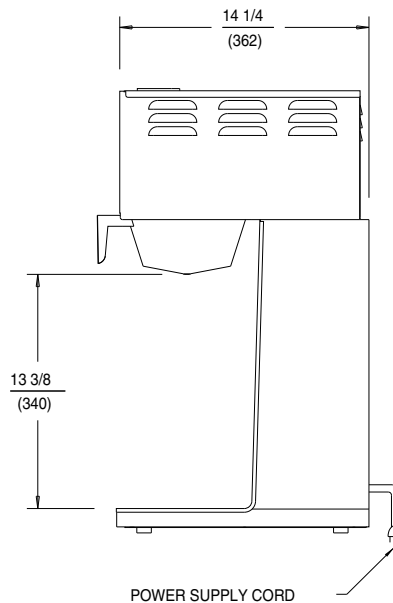
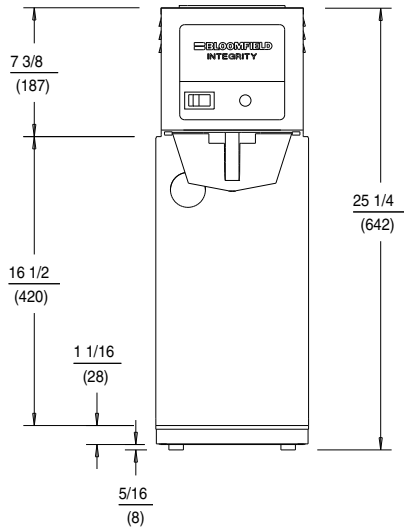


LR21315



EXPORT
MODELS
ONLY

DIMENSIONS: INCH
(MM)



SPECIFICATIONS:

MODELS	WATTS	VOLTS	AMPS	PHASE	POWER SUPPLY CORD
*8774	1500	120	12.5	SINGLE	NEMA 5-15P
🌐 8774AU	1800	240	7.5	SINGLE	SUPPLIED
🌐 8774EU/UK	1800	220-240	7.5	SINGLE	SUPPLIED
🌐 8774KO	1500	220	6.9	SINGLE	SUPPLIED

*🇨🇦 Also meets Canadian standards. 🇪🇺 Denotes CE approved models. 🌐 Denotes export products.

NOTE: Specifications are subject to change without notice and are not intended for installation purposes. See operation and maintenance manual for complete instructions.

ACCESSORIES: See the Bloomfield Brew Brew product catalog for a complete listing of brewers and accessories.



Complete line of Airpots
for use with brewers with 13 3/8" clearance heights

2.5 Liter Thermal Servers
for use with brewers with 17 1/2" clearance heights

1.9 Liter Hand Held Pours
for use with brewers with 9 1/2" clearance heights

BLOOMFIELD INDUSTRIES
2 ERIK CIRCLE, PO BOX 280, VERDI, NV 89439 U.S.A.
(888) 356-5362 • FAX (800) 356-5142 • www.wellsbloomfield.com • Export: (775) 689-5700 • (775) 689-5972
5850 KEATON CRESCENT, MISSISSAUGA, ONTARIO L5R 3K2 CANADA • (905) 507-1700 • FAX (905) 507-1777 • www.bloomcan.com
©2001 BLOOMFIELD INDUSTRIES • PRINTED IN THE U.S.A. • 04/01 • REV (-) • PART NO. 75225

