



Brewing Excellence

Job _____ Item No. _____

Single Cup Pod Brewer By Suncana®

- H701A-120V H701A4-120V
- H701B-120V H701B4-120V



Model H701A-120

DESCRIPTION

The Suncana® Brewers offer you the convenience and variety of choice in a single cup system. The patented extraction process delivers perfect, balanced flavor in every cup.

The Suncana POD Brewer works with all standard pods from many fine coffee roasters. This opens up many choices and allows you to taste and experience coffee from around the world. You can also take advantage of having instant hot water for other beverages and products such as hot chocolate, cups of soup & instant oatmeal.

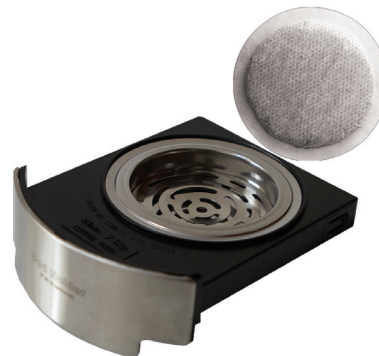
STANDARD FEATURES

- Plumbing hook-up water supply or manually filled
- 5 programmable cup settings
- Power save mode
- Water sensor for water reservoir supply
- Removable Drip Tray
- Stylish LCD display for quick and easy use
- Patented pod drawer works with a wide variety of pods, allowing you to choose your favorite coffee or tea
- Patented brewing system enhances the coffee extraction
- Instant heat boiler (fast recovery for next cup)
- Boiler Capacity: 14oz (400ml)
- Brewing Temperature: 198F (92C)
- Brewing Volume: Approx. 5-12 oz (Programmable)
- Water Reservoir Capacity: 39oz (1100m)

PRODUCT WARRANTY

Limited one year parts & labor

CERTIFICATIONS



Sheet No. SUNCA-05/14



Bloomfield • 10 Sunnen Dr. St. Louis, MO 63143 U.S.A.
Phone : (314) 678-6336 • Fax (314) 781-3636
www.wellsbloomfield.com • Printed in the U.S.A.

NOTE: Specifications are subject to change without notice and are not intended for installation purposes. See installation instructions prior to installing the unit.

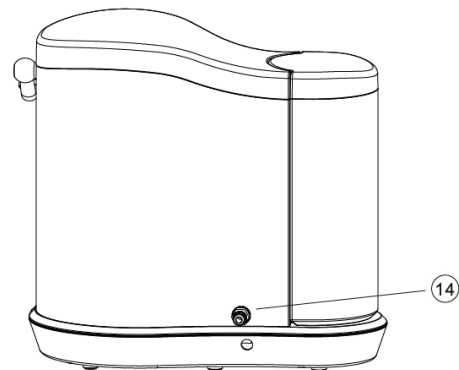
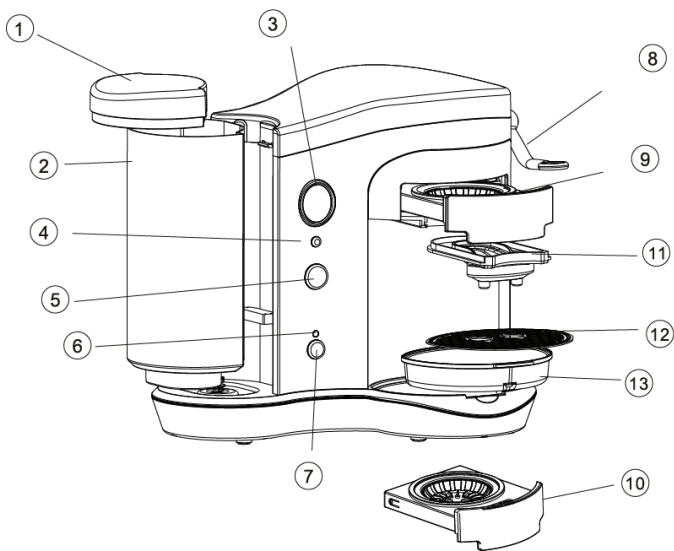


Single Cup Pod Brewer By Suncana®

Brewing Excellence

- ☐ H701A-120V ☐ H701A4-120V
- ☐ H701B-120V ☐ H701B4-120V

- | | |
|---|--|
| <ol style="list-style-type: none"> 1. Reservoir lid 2. Reservoir 3. LCD display 4. Volume setting button 5. Brew button 6. LED indicator 7. Power button | <ol style="list-style-type: none"> 8. Handle 9. Pod holder 10. Flavoured Pod holder (Optional) 11. Spout 12. Cup tray 13. Drip tray 14. Water inlet (H701B model) |
|---|--|



Model Number	W x D x H Inches (MM)	Voltage	Watts	Hz	Standard Packing	Approx. Weight Shipping LBS (KG)
H701A-120V	12-1/2 x 8-3/5 x 10-9/10 (320 x 220 x 280)	110~120V / 220~240V	1400	50Hz / 60Hz	1	11 (4.9)
H701A4-120V	12-1/2 x 8-3/5 x 10-9/10 (320 x 220 x 280)	110~120V / 220~240V	1400	50Hz / 60Hz	4	44 (19.9)
H701B-120V	12-1/2 x 8-3/5 x 10-9/10 (320 x 220 x 280)	110~120V / 220~240V	1400	50Hz / 60Hz	1	12 (5.4)
H701B4-120V	12-1/2 x 8-3/5 x 10-9/10 (320 x 220 x 280)	110~120V / 220~240V	1400	50Hz / 60Hz	4	48 (21.7)

Due to periodic changes in designs, methods, procedures, policies and regulations, the specifications contained in this sheet are subject to change without notice. While Wells exercises good faith efforts to provide information that is accurate, we are not responsible for errors or omissions in information provided or conclusions reached as a result of using the specifications. By using the information provided, the user assumes all risks in connection with such use.



Bloomfield • 10 Sunnen Dr. St. Louis, MO 63143 U.S.A.
 Phone : (314) 678-6336 • Fax (314) 781-3636
 www.wellsbloomfield.com • Printed in the U.S.A.

NOTE: Specifications are subject to change without notice and are not intended for installation purposes. See installation instructions prior to installing the unit.