



Brewing Excellence

Job _____ Item No. _____

Single & Dual Pod Brewers

POD1 POD2



Model POD1



Model POD2

FEATURES

- Brews one or two cups of coffee in minutes
- Water level indicator
- Automatic shut-off
- Water level sensor and overflow opening (POD2 only)
- “BREW” and “OFF” push buttons
- Light indicates coffee is brewing
- Accommodates mugs or disposable cups
- Stainless steel drip tray
- No warmer plate saves energy
- Grounded power cord
- Textured finish
- Sleek, compact design requires little counter space
- Works with 62mm pods

PRODUCT WARRANTY

Limited one year parts & labor

CERTIFICATION



Sheet No. POD-10/13



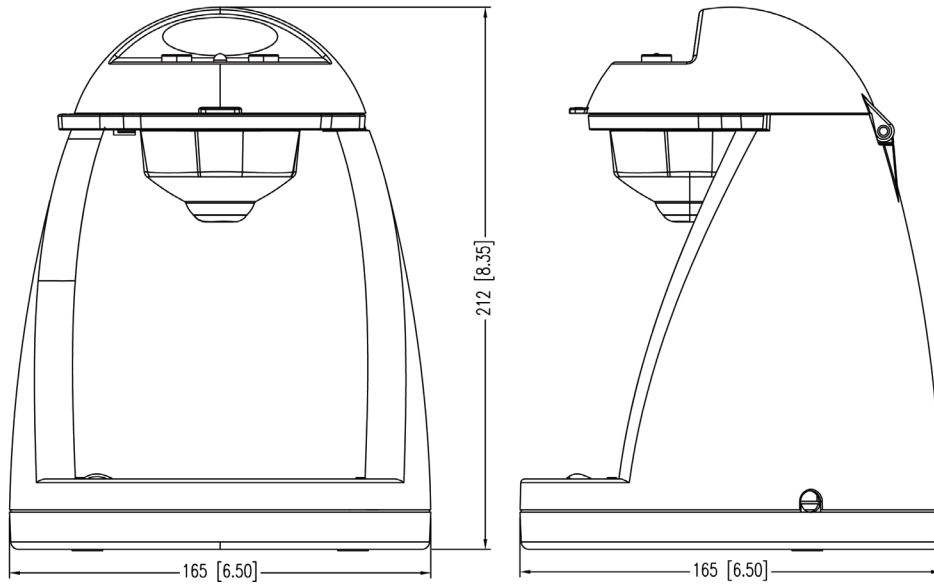
Bloomfield • 10 Sunnen Dr. St. Louis, MO 63143 U.S.A.
Phone : (314) 678-6336 • Fax (314) 781-3636
www.wellsbloomfield.com • Printed in the U.S.A.

NOTE: Specifications are subject to change without notice and are not intended for installation purposes. See installation instructions prior to installing the unit.

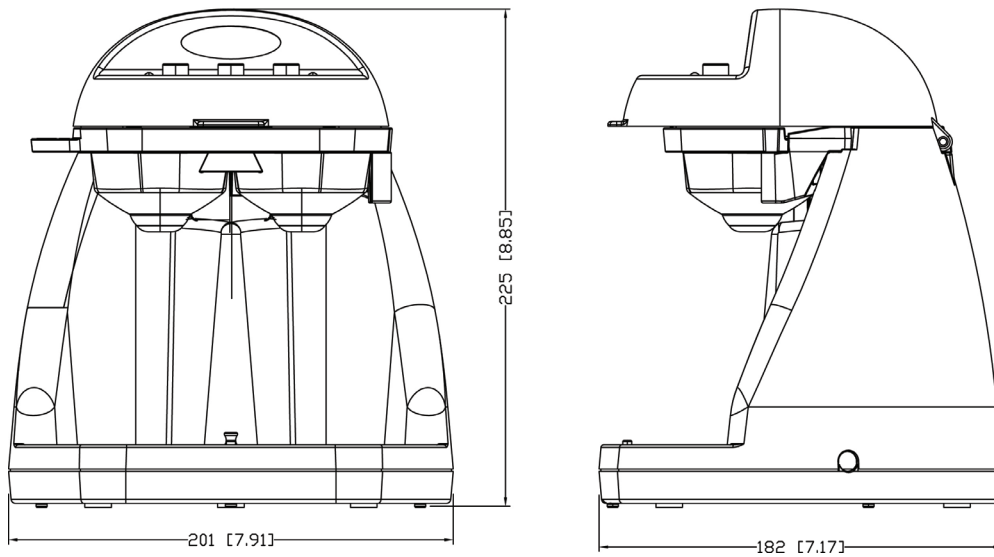
Single & Dual Pod Brewers

☐ POD1 ☐ POD2

Single Pod Brewer



Dual Pod Brewer



Model Number	W x D x H Inches (MM)	Voltage	Watts	Hz	Approx. Weight Installed LBS (KG)	Approx. Weight Shipping LBS (KG)
POD1-120V	6.5 x 6.5 x 8.35 (165 x 155 x 212)	120V	500	60	3.0 (1.4)	3.5 (1.6)
POD2-120V	7.91 x 7.17 x 8.85 (201 x 182 x 225)	120V	750	60	4.5 (2.1)	5.0 (2.3)

Due to periodic changes in designs, methods, procedures, policies and regulations, the specifications contained in this sheet are subject to change without notice. While Wells exercises good faith efforts to provide information that is accurate, we are not responsible for errors or omissions in information provided or conclusions reached as a result of using the specifications. By using the information provided, the user assumes all risks in connection with such use.



Bloomfield • 10 Sunnen Dr. St. Louis, MO 63143 U.S.A.
Phone : (314) 678-6336 • Fax (314) 781-3636
www.wellsbloomfield.com • Printed in the U.S.A.

NOTE: Specifications are subject to change without notice and are not intended for installation purposes. See installation instructions prior to installing the unit.