

Portable Cambar® Designer Series

540 Designer Series

Model BAR540DS

Features & Benefits

- Design combines form with function to create an efficient profit making beverage service station.
- Decorative countertop is a granite pattern over a fiberglass composite structure for an upgraded appearance.
- Rounded corners and molded compartments are shock absorbent to protect valuable glassware and bottles during transport.
- Recessed work area prevents spillage and provides ample room for drink preparation.
- Seamless, double-wall, high-density polyethylene construction. Won't rust, peel, crack, chip or dent.
- Top shelf removes for easy and complete cleaning.
- Deep ice sink holds up to 100 lbs. (45,5 Kg.) of ice.
- NSF listed threaded faucet drain with standard hose hook-up is located under ice sink and provides easy draining and cleaning.
- Four each 5" (12,7 cm) swivel casters w/ brakes ensure easy maneuvering at any event.
- Removable speed rail holds 5 bottles for added convenience.
- Non-electrical.
- No assembly required.
- Available in 3 color combinations:
 - Coal - Black base with Coal counter
 - Slate Gray - Granite Gray base with Slate Gray counter
 - Sand - Granite Sand base with Cocoa counter

Item No. _____

Specifier Identification No. _____

Model No. _____

Quantity _____



BAR540DS
(Shown with
5-bottle Speed Rail)

Portable Cambar® Designer Series

540 Designer Series

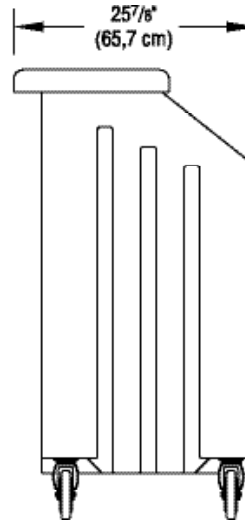
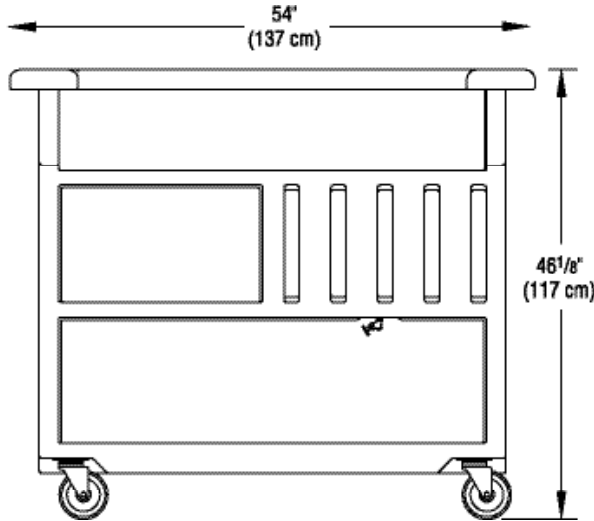
Model BAR540DS

Item No. _____

Specifier Identification No. _____

Model No. _____

Quantity _____



Specifications

Dimension Tolerance: +/- 1/4" (0,64 cm)

Code	Description	Overall Dimensions L x W x H	Case lbs./cube Kg/m ³
BAR540DS	Cambar with a 5-bottle speed rail, deep 100 lb. (45,5 Kg.) capacity ice sink with drain and decorative counter.	54" x 25 7/8" x 46 1/8" (137 x 65,7 x 117 cm)	145 (39.57) 65,25 (1,2)

Architect Specs

The non-electrical designer series portable bar shall be a Cambar®, model BAR540DS manufactured by Cambro Mfg. Co., Huntington Beach, CA 92648 U.S.A. It shall be constructed of molded high-density polyethylene and foam-injected polyurethane with decorative counter. It shall have 4 each 5" (12,7 cm) swivel casters w/ brakes on impact plates. It shall have one 5-bottle speed rail with a towel grip and 2 built-in partitions. It shall have a deep 100 lb. (45 Kg.) capacity ice bin. It shall be available in 3 decor combinations.

Standard Colors

- Coal - Black base with Coal counter (670).
- Slate Gray - Granite Gray base with Slate Gray counter (671).
- Sand - Granite Sand base with Cocoa counter (672).