



Portable CamBar®

650 Series

Domestic Models

BAR650PM - Post-Mix System 110 Volt for Municipal Water Supply

BAR650DSPM - Post-Mix System 110 Volt for Municipal Water Supply (Designer Decor)

BAR650PMT - Post-Mix System 110 Volt

BAR650DSPMT - Post-Mix System 110 Volt (Designer Decor)

International Model

BAR650PMT220 - Post-Mix System 220 Volt

BAR650DSPMT2 - Post-Mix System 220 Volt (Designer Decor)

Features & Benefits

- Engineered to fit in standard elevators to be easily moved between locations. Ideal for suites and smaller gatherings.
- Molded high-density polyethylene is impact resistant and easy to clean. Won't dent, crack, rust, chip or break.
- Reinforced aluminum chassis and polyurethane structural foam core ensures unsurpassed strength.
- One ice sink, 80 lb. (36,3 kg.) capacity with slide back cover for optimum sanitation.
- Four each 6" (15,24 cm) swivel casters, 2 with brakes, for smooth transport across carpet, cement or grass.
- Unique detachable front lifts off, giving complete access to all storage areas for inventory and cleaning or routing soda lines, tubes and hoses.
- Oversized seven-bottle speed rail with towel grips is standard with all models. Detaches for easy cleaning. Built-in partitions keep bottles separated to prevent breakage.
- Sealed-in eight-circuit patented cold plate has unique "roof top" design that directs melted water immediately into drainage channels and into the waste water bin. Keeps ice colder longer.
- Circuit exposure through cold plate chills liquids dispensed from the soda gun.
- Premium quality Wunder-Bar® five-button post-mix soda gun offers fast, low foaming delivery.
- Electrical 110 volt or 220 volt.
- No assembly required.
- Available in 10 color and decor combinations.
- Designer Series offers a decorative counter, front and side panels for an upgraded appearance. Panels are made from thermoformed ABS plastic with a clear finish for UV, scratch and chemical resistance. Counter is a granite pattern over a fiberglass composite structure.
- BAR650PM/BAR650DSPM includes:
 - One five-button Wunder-Bar gun, one sealed in cold plate, one carbonator, three syrup pumps, one CO₂ regulator and gauge, one CO₂ clamp and chain, one steel bag-in-box rack, tubing, hose and lines, one speed rail, one retainer strap, one waster bin, one each 80 lb. (36,3 kg.) ice sink and cover.
- BAR650PMT/BAR650DSPMT/BAR650DSPMT2/BAR650PMT220 includes:
 - One five-button Wunder-Bar gun, sealed-in cold plate, one carbonator, three syrup pumps, one CO₂ regulator and gauge, one CO₂ clamp and chain, one steel bag-in-box rack, tubing, hose and lines, one speed rail, one retainer strap, one waste water bin, one each 80 lb. (36,3 kg.) ice sink and cover, one each 17 gallon (64,4 L) fresh water tank, one water pump.

Item No. _____

Specifier Identification No. _____

Code No. _____

Quantity _____



BAR650DSPMT



Premium quality 5-button, post-mix soda gun by Wunder-Bar with fast, low foaming delivery.



Exclusive Cold Plate Patented "roof top" design. U.S. Patent 5,743,602.

Designer Decor Colors



Manhattan (667)
Black base and countertop with brushed pewter panels.



Carmel (669)
Black base and coal countertop with dark burlwood panels.



Sedona (668)
Granite sand base and cocoa countertop with light burlwood panels.



Chicago (770)
Black base and coal countertop with smooth brushed pewter panels.

Approvals



Carbonator and Water Pumps only.



Portable CamBar®

650 Series

Domestic Models

BAR650PM - Post-Mix System 110 Volt for Municipal Water Supply

BAR650DSPM - Post-Mix System 110 Volt for Municipal Water Supply (Designer Decor)

BAR650PMT - Post-Mix System 110 Volt

BAR650DSPMT - Post-Mix System 110 Volt (Designer Decor)

International Model

BAR650PMT220 - Post-Mix System 220 Volt

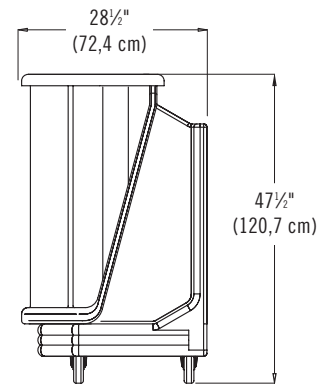
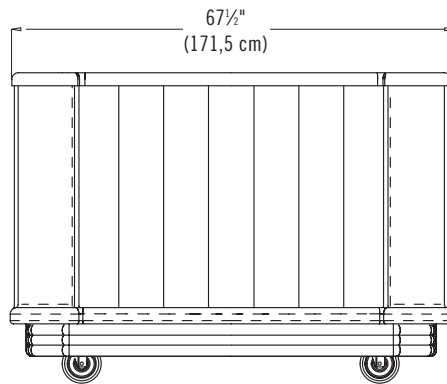
BAR650DSPMT2 - Post-Mix System 220 Volt (Designer Decor)

Item No. _____

Specifier Identification No. _____

Code No. _____

Quantity _____



BAR650PM / BAR650DSPM / BAR650PMT / BAR650DSPMT / BAR650PMT220 / BAR650DSPMT2

Specifications

Dimension Tolerance: +/- 1/8" (0,64 cm)

Code	Description	Overall Dimensions L x D x H	Unit Weight lbs. / kg	Case lbs. (Cube)/ Case kg. (M³)
BAR650PM	One Post-mix system equipped for 5-gallon (18,9 L) Bag-In-Box Syrups with a Line for City Water Hook-Up and 110 Volts	67 1/2" x 28 1/2" x 47 1/2" (171,5 x 72,4 x 120,7 cm)	302 / 137	331.58 (52.88) / 150,4 (1,5)
BAR650DSPM	One Post-mix system equipped for 5-gallon (18,9 L) Bag-In-Box Syrups with a Line for City Water Hook-Up and 110 Volts (Designer Decor Color)	67 1/2" x 28 1/2" x 47 1/2" (171,5 x 72,4 x 120,7 cm)	349 / 158,3	378.58 (52.88) / 171,7 (1,5)
BAR650PMT	One Post-mix system equipped for 5-gallon (18,9 L) Bag-In-Box Syrups with 1 17-gallon (64,3L) water tank, 1 water pump and 110 Volts	67 1/2" x 28 1/2" x 47 1/2" (171,5 x 72,4 x 120,7 cm)	311.42 / 141,3	341 (52.88) / 154,7 (1,5)
BAR650DSPMT	One Post-mix system equipped for 5-gallon (18,9 L) Bag-In-Box Syrups with 1 17-gallon (64,3L) water tank, 1 water pump and 110 Volts (Designer Decor Color)	67 1/2" x 28 1/2" x 47 1/2" (171,5 x 72,4 x 120,7 cm)	358.42 / 162,4	388 (52.88) / 176 (1,5)
BAR650PMT220	One Post-mix system equipped for 5-gallon (18,9 L) Bag-In-Box Syrups with 1 17-gallon (64,3L) water tank, 1 water pump and 220 Volts	67 1/2" x 28 1/2" x 47 1/2" (171,5 x 72,4 x 120,7 cm)	311.42 / 141,3	341 (52.88) / 154,7 (1,5)
BAR650DSPMT2	One Post-mix system equipped for 5-gallon (18,9 L) Bag-In-Box Syrups with 1 17-gallon (64,3L) water tank, 1 water pump and 220 Volts (Designer Decor Color)	67 1/2" x 28 1/2" x 47 1/2" (171,5 x 72,4 x 120,7 cm)	358.42 / 162,4	388 (52.88) / 176 (1,5)

Optional Accessories

- Wire Shelving 650WS
- Retaining Strap 730STP (1 each w/CamBar)
- Retaining Chain for CO₂ canisters 730CHN (1 each w/CamBar)
- Seven-Bottle Speed Rail 730SR (1 each w/CamBar)
- Five-Bottle Speed Rail BAR54SR (1 each w/CamBar)

Standard Colors

- Black (110)
- Granite Gray (191)
- Granite Sand (194)
- Two-tone Brown Mahogany (189)
- Granite Gray w/Black base (420)
- Granite Green w/Black base (421)

Speed Rail Colors (If ordered separately from CamBar.)

- Black (110)
- Gray (180)*
- Slate Blue (401)*
- Dark Brown (131)
- Granite Gray (191)
- Coffee Beige (157)*
- Granite Sand (194)

*Colors are only available for BAR54SR.

Designer Decor Colors

- Manhattan (667)
- Carmel (669)
- Sedona (668)
- Chicago (770)

Architect Specs

The post-mix portable bar shall be a CamBar650 Series, manufactured by Cambro Mfg. Co., Huntington Beach, CA 92648 U.S.A. It shall be a Cambro Model constructed of molded high-density polyethylene and foam-injected polyurethane with a built-in bumper. It shall have an access passage for a water line or electrical cord. It shall have 4 each 6" (15,24 cm) swivel casters, 2 with brakes, on an aluminum chassis. It shall have a premium 5-button Wunder-Bar® post-mix soda gun, sealed-in 8-circuit "roof top" design cold plate, CO₂ regulator and gauge, CO₂ clamp and chain. It shall have an oversized 7-bottle speed rail with built-in partitions and towel grips, and 1 waste water bin. It shall have 3 each mechanical syrup pumps, 1 each steel bag-in-the-box rack, and the required tubing, hoses and lines.

It shall have a UL Approved carbonator. It shall be offered in both 110V and 220V models. It shall have an 80 lb. (36,3 kg.) capacity ice bin with a slide back cover. It shall be available with a 17-gallon (64,4 L) fresh water tank and one UL Approved electrical water pump. It shall have a detachable front that lifts off. All models shall be available in 10 color and decor combinations.

Approvals



Carbonator and Water Pumps only.

CAMBRO®

www.cambro.com

© Cambro Manufacturing Company 5801 Skylab Road, Huntington Beach, CA 92647-2056, U.S.A.

Telephone 714 848 1555

Toll Free 800 854 7631

Customer Service Department 800 833 3003