

Portable Cambar®

730 Series

Post-Mix

Domestic Models

BAR730PMT - Post-Mix

BAR730PM - Post-Mix for Municipal Water Supply

International Model

BAR730PMT220 - Post-Mix

Features & Benefits

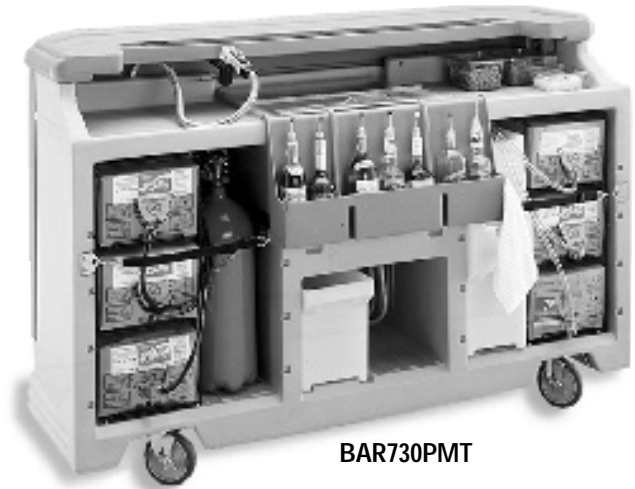
- Perfect for banquets and outdoor events. Self-contained system works in a lobby, banquet room or pool side event.
- Unique detachable front lifts off, giving complete access to all storage areas for inventory and cleaning or routing soda lines, tubes and hoses.
- Sealed-in six-circuit cold plate has unique "roof top" design that directs melted water immediately into drainage channels and into the waste water bin. Keeps ice colder longer.
- Premium quality Wunder-Bar® 8-button post-mix soda gun offers fast, low foaming delivery. Gun holster and overflow drain can be mounted on left or right side of sink. (Standard factory mounting is on the left side.)
- Oversized 7-bottle speed rail with towel grips is standard with all models. Detaches for easy cleaning. Built in partitions keep bottles separated to prevent breakage.
- BAR730PMT/BAR730PMT220 includes:
 - One 8-button Wunder-Bar® gun, sealed-in cold plate,
 - 1 carbonator, 6 syrup pumps, 1 CO₂ regulator and gauge,
 - 1 CO₂ clamp and chain, 2 steel bag-in-box racks, tubing,
 - hose and lines, 1 speed rail, 2 retainer straps, 1 waste water bin, 1 each 80 lb. (37 Kg.) center ice sink and cover,
 - 1 each 17 gallon (64 L) fresh water tank, 1 water pump.
- BAR730PM includes:
 - One 8-button Wunder-Bar gun, sealed in cold plate,
 - 1 carbonator, 6 syrup pumps, 1 CO₂ regulator and gauge,
 - 1 CO₂ clamp and chain, 2 steel bag-in-box racks, tubing,
 - hose and lines, 1 speed rail, 2 retainer straps, 1 waste water bin, 1 each 80 lb. (37 Kg.) center ice sink and cover.
- Molded high-density polyethylene is impact resistant and easy to clean. Won't dent, crack, rust, chip or break.
- Reinforced aluminum chassis and polyurethane structural foam core ensures unsurpassed strength.
- Center ice sink, 80 lb. (37 Kg.) capacity with slide back cover for optimum sanitation.
- Four each 6" (15,2 cm) swivel casters, 2 w/ brakes for smooth transport across carpet, cement or grass.
- Electrical 110 volt or 220 volt.
- Minimal assembly required.
- Available in 5 solid colors and 6 color combinations.

Item No. _____

Specifier Identification No. _____

Model No. _____

Quantity _____



BAR730PMT



Detachable front for easy access to inventory and routing lines, tubes and hoses.



Premium quality 8-button, post-mix soda gun by Wunder-Bar® with fast, low foaming delivery.

Approvals



Carbonator and Syrup Pumps only

Portable Cambar®

Item No. _____

Specifier Identification No. _____

Model No. _____

Quantity _____

730 Series

Post-Mix

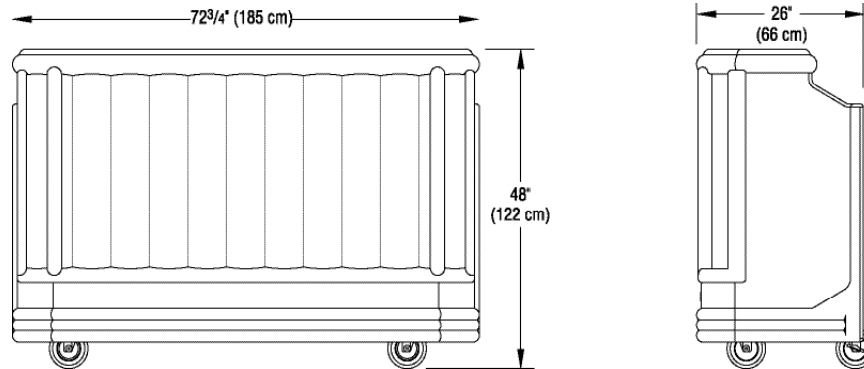
Domestic Models

BAR730PMT - Post-Mix

BAR730PM - Post-Mix for Municipal Water Supply

International Model

BAR730PMT220 - Post-Mix



BAR730PMT/BAR730PM/BAR730PMT220

Specifications

Dimension Tolerance: +/- 1/4" (0,64 cm)

Code	Description	Overall Dimensions L x W x H	Case lbs./cube Kg/m ³
Domestic BAR730PMT	Cambar with one 8-button Wunder-Bar® gun, sealed-in cold plate, 1 carbonator, 6 syrup pumps, 1 CO ₂ regulator and gauge, 1 CO ₂ clamp and chain, 2 steel bag-in-box racks, tubing, hose and lines, 1 speed rail, 2 retainer straps, 1 waste water bin, 1 each 80 lb. (37 Kg.) center ice sink and cover, 1 each 17 gallon (64 L) fresh water tank, 1 water pump.	72 3/4" x 26" x 48" (185 x 66 x 122 cm)	380 (58.75) 172 (1,65)
BAR730PM	Cambar with one 8-button Wunder-Bar® gun, sealed-in cold plate, 1 carbonator, 6 syrup pumps, 1 CO ₂ regulator and gauge, 1 CO ₂ clamp and chain, 2 steel bag-in-box racks, tubing, hose and lines, 1 speed rail, 2 retainer straps, 1 waste water bin, 1 each 80 lb. (37 Kg.) center ice sink and cover.	72 3/4" x 26" x 48" (185 x 66 x 122 cm)	360 (58.75) 163 (1,65)
International BAR730PMT220	Cambar with same accessories as BAR730PMT. Available in 220 volt. No plug will be furnished.	72 3/4" x 26" x 48" (185 x 66 x 122 cm)	380 (58.75) 172 (1,65)

Optional Accessories

- Wire Shelving 730WS
 - Retaining Strap 730STP (2 each with Cambar)
 - Retaining Chain for CO₂ canisters 730CHN (1 each with Cambar)
 - 7-Bottle Speed Rail 730SR (1 each with Cambar)
 - 17 gal. (64 L) Fresh Water Tank 730FWT (1 each with Cambar BAR730PMT)
 - Custom Decorating Kit 730CKIT
- (Includes instructions, 18 each mounting plates, 18 each washers, 18 each wing nuts)

Standard Colors

- Two-tone Gray Marble (188) Black (110) Two-tone Brown Mahogany (189)
- Granite Gray (191) Granite Green (192) Granite Red (193)
- Granite Sand (194) Granite Gray w/Black base (420)
- Granite Green w/Black base (421) Granite Red w/Black base (422)
- Granite Sand w/Black base (423)

Architect Specs

The post-mix portable bar shall be a Cambar, 730 Series, manufactured by Cambro Mfg. Co., Huntington Beach, CA 92648 U.S.A. It shall be a Cambro Model... It shall be constructed of molded high-density polyethylene and foam-injected polyurethane with a built-in bumper. It shall have an access passage in the middle compartment for a water line or electrical cord. It shall have a step-down preparation area that can be fit with 2 glass rail mats. It shall have 4 each 6" (15,2 cm) swivel casters, 2 locking, on a molded-in aluminum chassis. It shall have a premium 8-button Wunder-Bar® post-mix soda gun, sealed-in 6-circuit "roof top" design cold plate, CO₂ regulator and gauge, CO₂ clamp and chain, 7-bottle oversized speed rail with built-in

partitions and towel grips, and waste water bin. It shall have 6 each mechanical UL Approved syrup pumps, 2 each steel bag-in-the-box racks, and the required tubing, hoses and line. It shall have a UL Approved carbonator. It shall be offered in both 110V and 220V models. It shall have an 80 lb. (37 Kg.) capacity center ice bin with a slide back cover. It shall be available with a 17-gallon (64 L) fresh water tank and one electrical water pump. It shall have a detachable front that lifts off. All models shall be available in 4 solid colors and 2 color combinations.

Approvals



Carbonator and Syrup Pumps only