



Camtherm® Plate Heater

Model

CHPL100 – Camtherm Plate Heater
Holds 100 each 9" (22,8 cm) to 10½" (26,7 cm) Ceramic Plates,
50 per Silo (Holding capacity varies based on type/style of plate)

Item No. _____

Specifier Identification No. _____

Model No. _____

Quantity _____

Features & Benefits

- For use in healthcare foodservice facilities. Use to heat up and hold plates until ready to dispense for patient hot meal set up and service.
- Low-profile, 40" (101,6 cm) provides easy access to plates.
- A digitally controlled, 2400-watt convection heating system, with a blower and heating element per silo ensures consistent heating from the top to the bottom within each stack.
- Temperature settings are adjustable, two hour heat up time..
Plate Heater: 80° – 175°F (26,7° – 79,4°C)
- A temperature display is located on the back of the unit.
- Cabinet is constructed of 304 stainless steel.
- Super-wool ultra-efficient insulation sealed within the entire cabinet conserves energy and prevents heat migration, keeping plates hot while keeping the exterior safe to the touch.
- A sturdy, stainless steel, rolled tube handle is located at the end of the cart for easy maneuvering empty or full.
- A self-leveling dispenser and basket in each silo offers easy level access to contents, regardless the number of plates loaded.
- Twenty two springs per silo, made of 302 stainless steel, with a .050" (0,127 cm) wire diameter, require no adjusting and ensure smooth dispensing.
- Dual lids conserve energy and retain heat inside cabinet. Open one lid or both for filling or dispensing.
- Heavy-duty lid handles stay cool to the touch and offer a good grip.
- Back panel removes easily to access internal components and wiring for service and maintenance.
- Stainless steel NSF 5" (12,7 cm) non-marking, heavy load casters (2 swivel with brake, 2 rigid) mounted to the cabinet provide smooth and easy maneuvering.
- High density polyethylene gray bumper offers added protection, and won't leave marks..
- A 6' (183 cm) heavy-duty electrical cord with 6-15 NEMA plug stores on a bracket, when not in use.
- No assembly required.
- Available in stainless steel only.



CHPL100
Camtherm Plate Heater.

Approvals

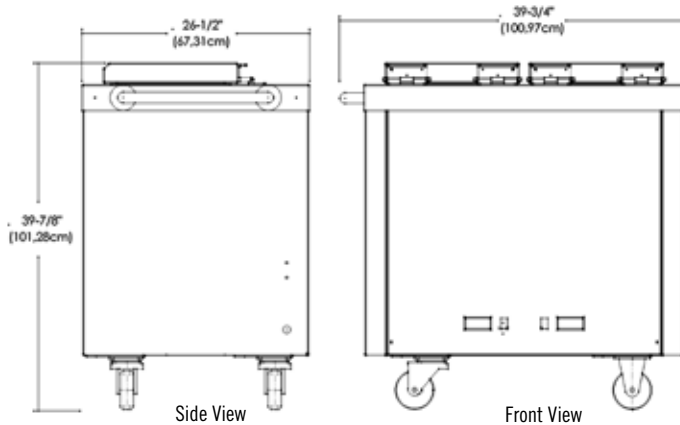


Camtherm® Plate Heater

Model

CHPL100 – Camtherm Plate Heater

Holds 100 each 9" (22,8 cm) to 10½" (26,7 cm) Ceramic Plates,
50 per Silo (Holding capacity varies based on type/style of plate)



Item No. _____

Specifier Identification No. _____

Model No. _____

Quantity _____

Specifications

OVERALL Dimension Tolerance: +/- 1/8" (0,32 cm)

CODE	CHPL100
DESCRIPTION	Plate Heater
NUMBER OF STACKS	2
CAPACITY	100 plates (50 in each stack)
OVERALL DIMENSIONS	Width 39.75" (100,97 cm) Depth 26.50" (67,31 cm) Height 39.875" (101,28 cm)
Electrical Specifications	
VOLTAGE / PHASE	208 – 240 VAC
AMPS	10.5
WATTS	2400
HZ	50/60
ELECTRICAL CORD	6' (183 cm)
NEMA PLUG CONFIGURATION	6-15
PRODUCT WEIGHT	355.5 lbs. (161,25 kg.)
CASE LBS (CUBE)	408 (31.31)
CASE KG (CUBE M³)	185,07 (0,89)
TEMPERATURE RANGE	80 – 175°F (26,7 – 79,4°C)
Case Pack: 1	Color: Stainless Steel (000)

Architect Specs

The stainless steel Camtherm Plate Heater, shall be Cambro Model CHPL100. The Plate Heater model shall hold up to 100 each 9" (22,8 cm) to 10½" (26,7 cm) ceramic plates. It shall have an external thermostat display. The external thermostats shall display the set temperature and the current temperature. The Plate Heater shall be factory set at 80° – 175°F (26,7° – 79,4°C). Amps shall be 10.4, voltage/phase shall be 208 – 240, watts shall be 2400, Hz shall be 50/60. It shall have a clearly marked on/off switch located at the rear of each unit. It shall have two hinged lids, heavy-duty lid handle. It shall be made of 304 stainless steel. There shall be a stainless steel rolled tube handle, located at the end of the cabinet. It shall have high density, Super wool, ultra efficient insulation within the entire cabinet. It shall have a back panel that removes easily without removing the top of the cabinet. It shall have 2 removable plate baskets which are made of stainless steel. The dispenser base in each silo shall be stainless steel. It shall have two silos independent from each other. Each silo shall be self-leveling and require no adjustments and shall have twenty-two springs, made of 302 stainless steel, with a .050" (0,127 cm) wire diameter. It shall have 4 each, 5" (12,7 cm) casters (2 front fixed, 2 rear swivel with brakes) bolted through a stainless steel cabinet foundation as well as to the cabinet exterior wrap. It shall have high density polyethylene gray bumpers. It shall have a 6' (183 cm) cord with a 6-15 Nema Plug Configuration and shall be stored on a cord storage bracket. There shall be no assembly required. It shall be offered in Stainless Steel (000) color only.

Optional Accessories

Plate

- MDSPLT9 Camtherm 9" (22,8 cm) Ceramic Plate

Plate and Pellet Lifter

- MDSPL Plate and Pellet lifter

Approvals

