

## Beverage Service Carts

Models MDC24, MDC24F

### Features & Benefits

- Perfect for food delivery or offering self-service beverages or snacks. May also be used for a convenient wait staff service station.
- Model MDC24 has a recessed counter that holds 3 each one gal. (3,8 L) Camtainers® (Model 100LCD). Also accommodates Condiment Bins and/or merchandising containers for snacks or specialty items.
- Model MDC24F has a flat top counter to accommodate a variety of combinations of all Cambro insulated beverage containers.
- With the addition of the Optional Wire Rack, each compartment will hold 10 each Metric Camtrays® (Product #3253) or the following GN 1/1, 1/2 or 1/3 Size Food Pans:
  - 2½" (6,5 cm) deep
    - 4 each GN 1/1 Full Size
    - 8 each GN 1/2 Size
    - or 12 each GN 1/3 Size
  - 4" (10 cm) deep
    - 3 each GN 1/1 Full Size
    - 6 each GN 1/2 Size
    - or 9 each GN 1/3 Size
  - 6" (15 cm) deep
    - 2 each GN 1/1 Full Size
    - 4 each GN 1/2 Size
    - or 6 each GN 1/3 Size
  - 8" (20 cm) deep
    - 1 each GN 1/1 Full Size
    - 2 each GN 1/2 Size
    - or 3 each GN 1/3 Size
- One-piece, seamless, double-wall, durable polyethylene construction will not dent, crack, bubble, chip or break. Can be wiped or steam-cleaned.
- Two bottom compartments are insulated with foamed-in polyurethane.
- Open compartment shelf under work area is large enough to store set-ups or additional food items.
- Molded-in handles on both sides provide easy steering and maneuvering.
- Four each 6" (15,24 cm) casters, 2 fixed, 2 swivel, 1 w/ brake, provide easy transport and maneuvering.
- Non-electrical.
- No assembly required.
- Available in 9 colors.

Item No. \_\_\_\_\_

Specifier Identification No. \_\_\_\_\_

Model No. \_\_\_\_\_

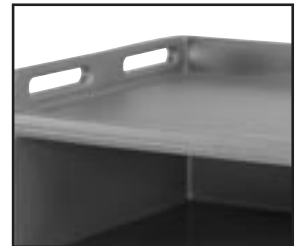
Quantity \_\_\_\_\_



**MDC24** (Shown with Optional 1 gal. (3,8 L) Camtainers, Condiment Bins and Wire Rack with Metric Camtrays)



Recessed top on Model MDC24 holds 3 each, 1 gal. (3,8 L) Camtainers and stacked Condiment Bins.



Model MDC24F has a flat top counter to allow menu service flexibility.



Organize Food Pans and Trays by placing the Optional Wire Rack inside the insulated compartments.



Closed compartments also hold supplies.

### Approvals



# Beverage Service Carts

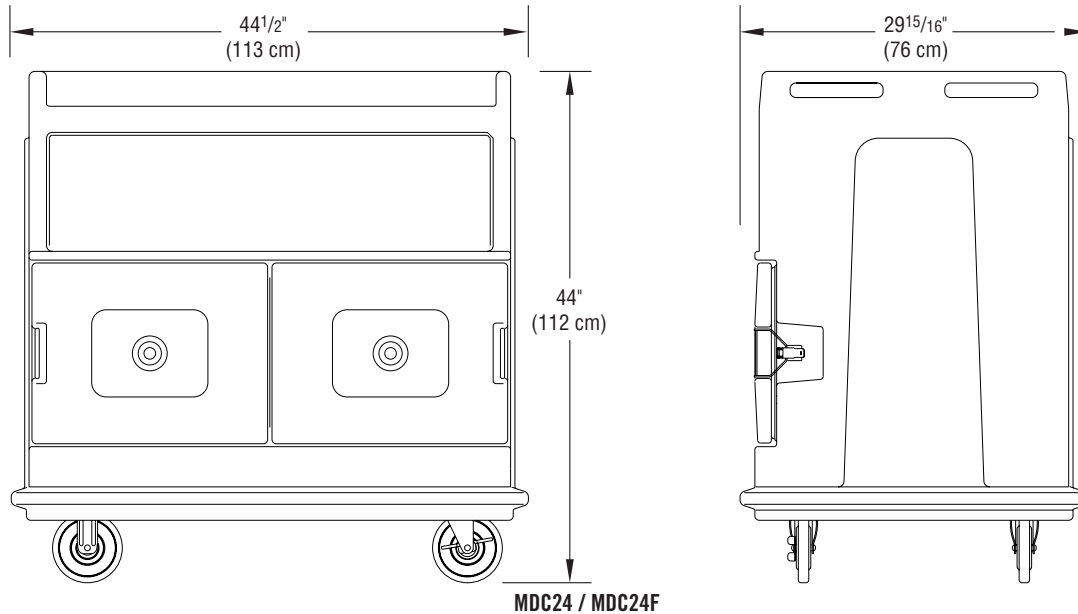
Models MDC24, MDC24F

Item No. \_\_\_\_\_

Specifier Identification No. \_\_\_\_\_

Model No. \_\_\_\_\_

Quantity \_\_\_\_\_



## Specifications

Dimension Tolerance: +/- 1/4" (0,64 cm)

Code	Description	Exterior Dimensions W x D x H	Case lbs./cube Kg/m <sup>3</sup>
MDC24 / MDC24F	Beverage Service Cart	44 1/2" x 29 15/16" x 44" (113 x 76 x 112 cm)	143 (37.67) 64,9 (1,055)

## Optional Accessories

- Wire Rack  MDC24R
- Condiment Bin  5412CBP

- For MDC24  
Camtainer®  100LCD -1 gallon (3,8 L)

- For MDC24F  
Camtainer®  100LCD  250LCD  500LCD  1000LCD  
Ultra Camtainer®  UC250  UC500  UC1000  
CamServer®  CSR3  CSR5

## Standard Colors

- Dusty Rose (400)
- Gray (180)
- Slate Blue (401)
- Coffee Beige (157)
- Dark Brown (131)
- Granite Gray (191)
- Granite Green (192)
- Granite Red (193)
- Granite Sand (194)

## Architect Specs

The non-electrical beverage service cart shall be Model MDC24 or Model MDC24F manufactured by Cambro Mfg. Co., Huntington Beach, CA 92648 U.S.A. It shall be made of one-piece, seamless, double-wall, high-density, polyethylene and shall be foam-injected with polyurethane. Model MDC24 shall have a recessed counter that will hold 3 each one gallon (3,8 L) Camtainers or Condiment Bins. Model MDC24F shall have a flat counter. With the Optional Wire Rack, the two insulated compartments shall accommodate 10 each 3253 Metric Camtrays or GN Full, Half or Third Size Food Pans, from 2 1/2" (6,5 cm) to 8" (20 cm) deep. It shall have an open compartment shelf under the recessed work top area for convenient storage. It shall have molded-in handles on both sides. It shall have 4 each 6" (15,24 cm) casters, 2 fixed, 2 swivel, 1 w/ brake. It shall require no assembly. It shall be available in 9 colors.

## Approvals

