

Insert Racks Aluminum

ITEM NO. _____

QUANTITY NO. _____

JOB NO. _____

SPEC NO. _____

FEATURES & BENEFITS:

- Save money by using insert racks in place of stainless runners inside reach-in refrigerators and freezers.
- Give your operators the maximum flexibility with their reach-ins when storing products.
- Unit holds standard 18" x 26", 14" x 18", or 13" x 18" sheet pans
- Racks are of aluminum construction
- Fits most reach-in's with 21" door clearance.
- Knock-down unit for added freight savings.
- **Lifetime Guarantee against rust or corrosion**



AL-1816-IR-KD



AL-1807-IR-KD

Laboratory Certification
and Approval Symbols:



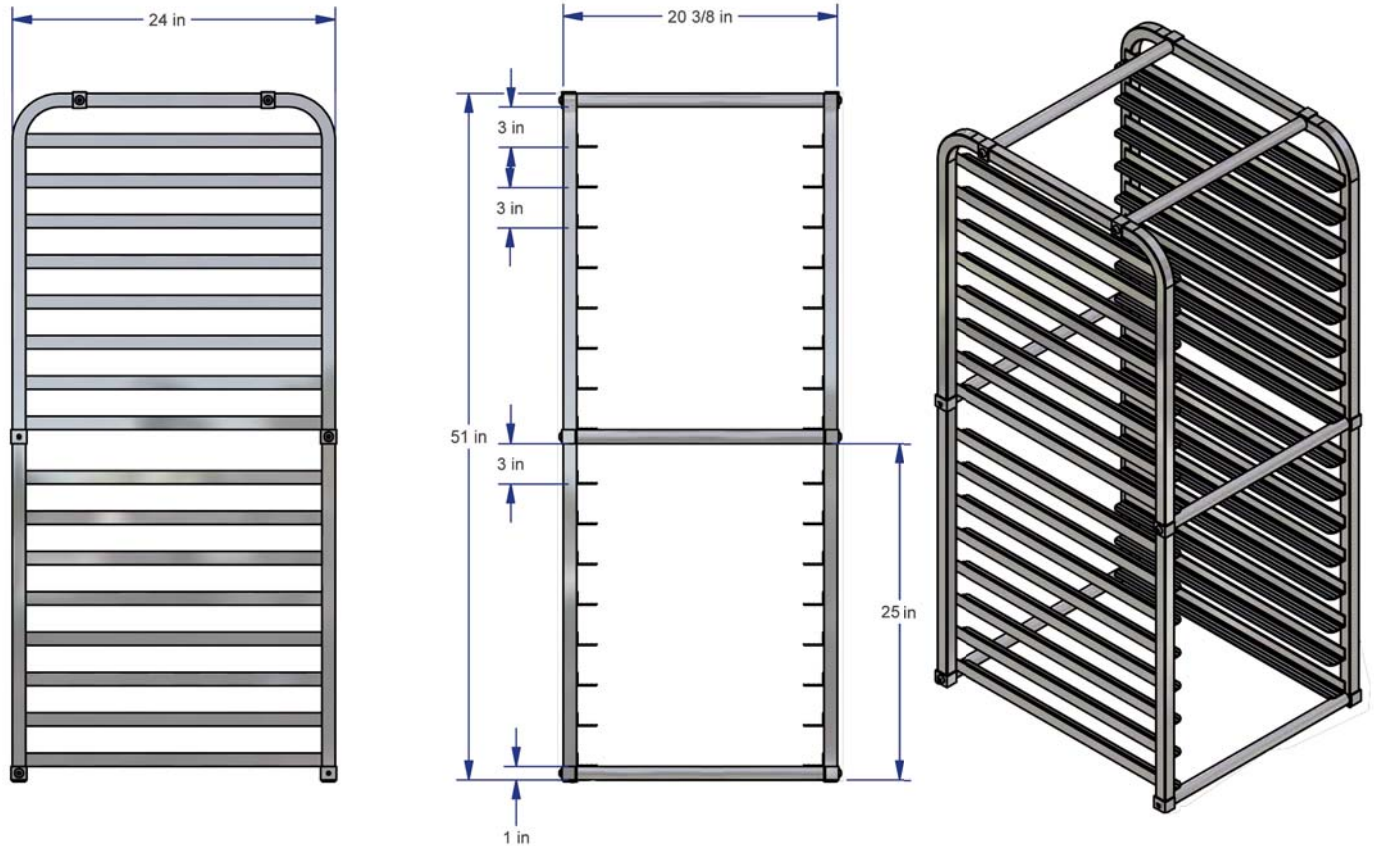
141 Eileen Way • Syosset, NY 11791 • Tel: 1-800-444-3595 • Fax: 516-222-0371
www.winholt.com • sales@winholt.com

PENNSYLVANIA • GEORGIA • TEXAS • CALIFORNIA

Insert Racks - Aluminum

ITEM NO. _____
 JOB NO. _____
 SPEC NO. _____

Insert Racks Aluminum



Model #	Ordering #	Overall Dimensions						Capacity Trays	Runner Spacing		Approx. Ship Wt.	
		Width		Length		Height			(in)	(mm)	(lb)	(kg)
		(in)	(mm)	(in)	(mm)	(in)	(mm)					
Knock-Down Units												
AL-1807-IR-KD	626089	20 3/8	518	24	610	23	584	7- 18" x 26"	3	76	15	7
AL-1816-IR-KD	582928	20 3/8	518	24	610	51	1295	16-18" x 26"	3	76	28	13

Win-Holt Equipment is a leading manufacturer of material & food handling equipment. Since 1946, retailers and restaurant chains have trusted Win-Holt's equipment to ensure increased productivity and efficiency in their operation. Multiple locations reduce logistics and transportation costs. All Win-Holt associates are dedicated to customer satisfaction.

For general sales and engineering information only. All units are subject to change without notice. Please consult factory for certified specifications.

141 Eileen Way • Syosset, NY 11791 • Tel: 1-800-444-3595 • Fax: 516-222-0371
 www.winholt.com • sales@winholt.com