



## W5A Food Mixer - 5 Quart Mixer

Project \_\_\_\_\_

Item Number \_\_\_\_\_

Quantity \_\_\_\_\_



The Varimixer Model W5A is an extremely rugged 5-quart mixer, combining an industry leading 0.7 hp direct drive with our proven 5 speed transmission



ETL listed



Conforms to UL Std 763

Certified to CSA Std C22.2 No.195

### Standard Features

- Powerful 0.7 hp motor
- Variable Speed Drive with wide agitator speed range from 120 rpm to 400 rpm
- Stainless Steel safety guard
- Aluminum frame with powder coated finish
- Attachment hub
- Permanently lubricated planetary head and attachment hub case
- Safety cut-switch automatically turns the mixer off if mixer is opened.
- Overload protection and no voltage release
- Cord and NEMA 5-15P plug
- ETL and NSF listed
- operated by the 2 rotary knobs, one on each side
- Provisions for bolting to counter or table

### Standard Accessories:

- 5 quart bowl - Stainless steel
- Flat beater - Stainless steel
- Spiral dough hook - Stainless steel
- Wire whip - stainless steel wires
- Plastic bowl lid
- Bowl guard ingredient chute
- Splash guard in plastic

### Optional Attachments:

- Meat grinder

### Warranty:

One year parts and labor limited warranty

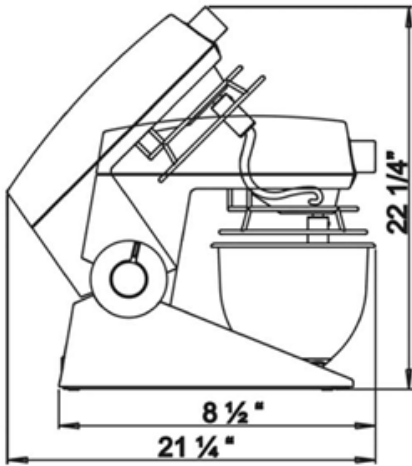
Approved By: \_\_\_\_\_ Date \_\_\_\_\_

 **Varimixer**  
www.varimixer.com

14240 South Lakes Drive  
Charlotte, NC 28273  
Phone: 800-222-1138  
Fax: 704-583-1703  
mixer@varimixer.com



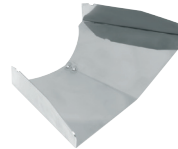
# W5 Food Mixer - 5 Quart Mixer



Bowl lid



Splash guard



Ingredient chute



Meat grinder 304

### Specifications

| Model No. | Capacity   | Overall size   |                 |                | Net. weight     |
|-----------|------------|----------------|-----------------|----------------|-----------------|
|           |            | Height H       | Width W         | Length L       |                 |
| W5A       | bowl 5-qt. | 15.75" (40 cm) | 9.5" (24.13 cm) | 21.25" (54 cm) | 44 lbs. (20 kg) |

### Shipping information

| Class | CU. FT. | Dimensions     |                |                | Weight            |
|-------|---------|----------------|----------------|----------------|-------------------|
|       |         | Height         | Width          | Length         |                   |
| 85    | 25      | 18" (45.72 cm) | 24" (60.96 cm) | 18" (45.72 cm) | 52 lbs. (23.6 kg) |

|  |  |              |            |
|--|--|--------------|------------|
| <b>Cord &amp; Plug</b>   | Power cord included with plug NEMA 5-15P |              |            |
| <b>Electrical Data for Motor</b>                               | <b>Motor</b>                             | <b>Volts</b> | <b>Amp</b> |
|  | 0.7 HP                                   | 115/60/1     | 3.5        |
| On the nominal motor voltage, + or - 10% tolerance is allowed. |  |              |            |
| <b>Mixing Speed</b>  |  |              |            |
| Agitator Speed   | Min                                      | Max          |            |
|  | 100                                      | 400          |            |

### Capacity Chart

|                            |                      |        |
|----------------------------|----------------------|--------|
| Mashed Potatoes .....      | Whip or Beater ..... | 4 lbs. |
| Whipped Cream .....        | Whip .....           | 3 Qts. |
| Muffins .....              | Beater .....         | 5 lbs. |
| Pie dough .....            | Beater .....         | 3 lbs. |
| Layer Cake .....           | Beater .....         | 3 lbs. |
| Pancake Batter .....       | Whip or Beater ..... | 2 Qts  |
| Cookie Dough .....         | Beater or Hook ..... | 3 lbs. |
| Cookie yeast .....         | Hook .....           | 5 lbs. |
| Donuts, Cake .....         | Beater .....         | 5 lbs. |
| Bread dough (65% AR) ..... | Hook .....           | 5 lbs. |
| Pizza dough (50% AR) ..... | Hook .....           | 5 lbs. |

 **Varimixer**  
www.varimixer.com

14240 South Lakes Drive  
Charlotte, NC 28273  
Phone: 800-222-1138  
Fax: 704-583-1703  
mixer@varimixer.com