

# UNIVERSAL ADAPTER PLATE KIT INSTALLATION INSTRUCTIONS

Part Number **AP** For use with all **EXTREMEAIR** and Global Series Dryers

The Universal Adapter Plate kit provides a convenient means to replace older, larger hand dryers, recessed hand dryers or paper towel dispensers with a more compact and energy efficient hand dryer. The plate covers mounting holes, conduit holes and large openings from recessed dryers. This kit is compatible with all GX, GXT and EXT series hand dryers. The kit consists of a stainless steel 16" W x 14" H adapter plate with four threaded mounting studs for the dryer and mounting hardware.

## Kit Includes:

- (1) Stainless steel adapter plate with dryer mounting studs
- (4) 1/4" -20 x 3/8" bolts to mount the dryer to the plate
- (4) #8 x 1-1/2" wood screws to mount adapter plate to wall

Silicone caulk is NOT included

## Directions:

1. Maximum mounting height from FLOOR to BOTTOM EDGE of ADAPTER PLATE:

MEN	41"
WOMEN	39"
CHILDREN	29"
HANDICAPPED	33"

2. Apply a bead of silicone caulk across the back of the adapter plate to reduce noise and vibration.
3. Mount the adapter plate to the wall. **Make sure the (4) #8 x 1-1/2" wood screws go into wood studs.** If this is not possible (i.e., cinder block wall, metal studs, etc.), the contractor must supply the appropriate mounting hardware to securely mount the adapter plate. **The supplied #8 x 1-1/2" wood screws are for mounting to wood studs only.**
4. Apply a bead of silicone caulk around edges of adapter plate.
5. Install the GX, GXT or EXT model hand dryer onto the adapter plate following the instructions that came with the hand dryer.

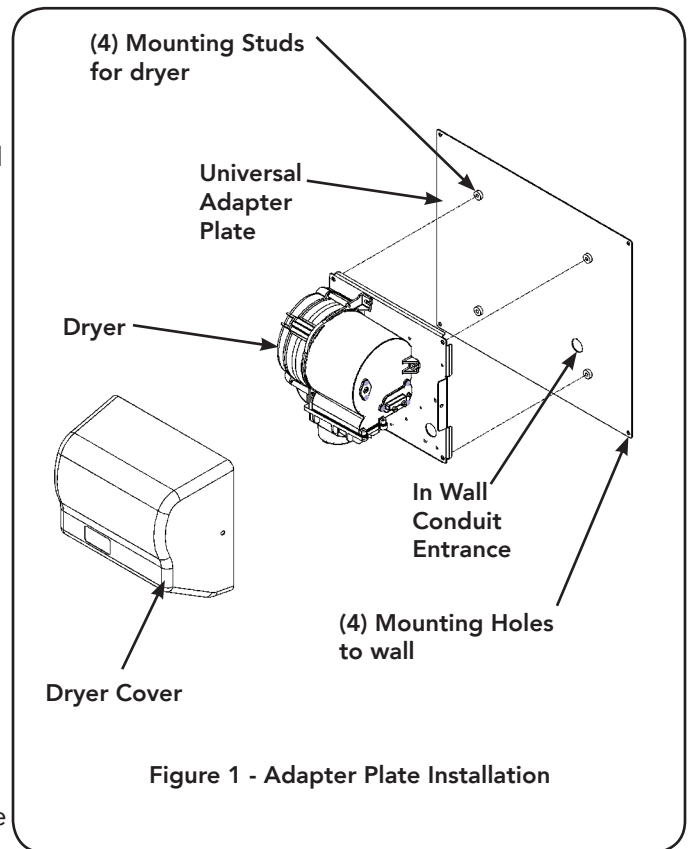


Figure 1 - Adapter Plate Installation

**WARNING:** DISCONNECT POWER BEFORE INSTALLING  
DESUNA LA ELECTRICIDAD ANTES DE HACER REPARACIONES