



EF250 - SELF CONTAINED FLAKE ICE MAKER



Features

- Produces up to 400 lbs (182 kg) of ice per day.
- Constructed with a rugged stainless steel transport system enclosed in polyurethane insulation.
- Removes excess water by pushing the flaked ice through an extrusion process – the result is high-quality flaked ice which is ideal for medical, supermarket or restaurant applications.
- Constructed from sturdy, corrosion-resistant stainless steel.
- Filter-Free Air – no air filter to change.

EF250 SELF CONTAINED FLAKE ICE MAKER

Options & Accessories

| WATER FILTERS | | | |
|-------------------|----------|-------------|---------------|
| Ice Machine Model | Manifold | | Inline |
| | System | Replacement | System |
| EF250 | IFQ1 | IOMQ (1) | IFI4C / IFI8C |

Ice Maker Warranty

Every Ice-O-Matic ice maker is backed by a warranty that provides both parts and labor coverage.

- Two years **Parts** and **Labor**.
- Five years **Parts** coverage on the compressor.

Ice Form



FLAKED ICE

Space-Saving Solutions

- Self-contained insulated storage available in 143 lbs (65 kg), 213 lbs (97 kg).
- Your choice of 32" (965 mm) or 38" (965 mm) wide cabinets.
- Ultra-low profile – 41" (1041 mm) tall.
- Air intake on only one side.



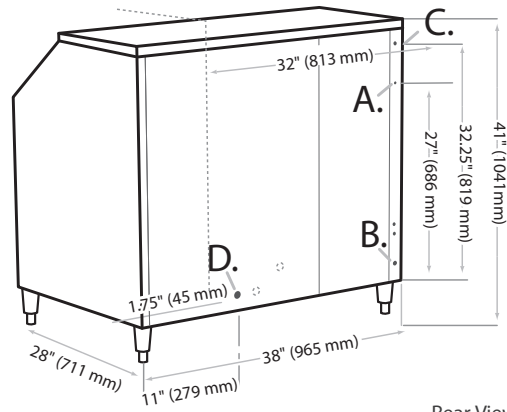
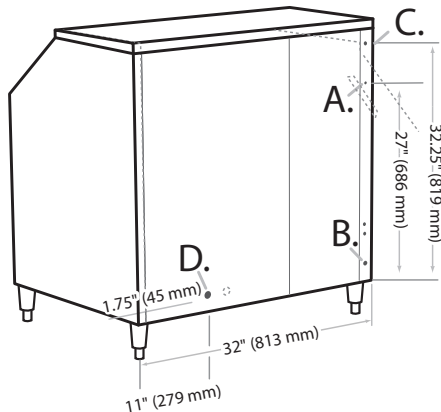
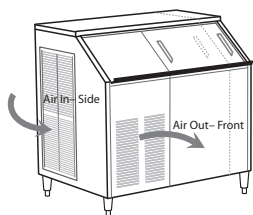
EF250 - SELF CONTAINED FLAKE ICE MAKER

EF250 SELF CONTAINED FLAKE ICE MAKER

Air Cooled

Please note: air-cooled units require 6" (152 mm) clearance for air intake and exhaust.

- A. Ice maker potable water in, 3/8" FPT.
- B. Drain, 1/2" i.d. plastic tubing.
- C. Hole for electrical connections.
- D. 3/4" bin drain.



Rear View

Operating Requirements

| | MINIMUM | MAXIMUM |
|-------------------------|-------------------|-------------------|
| | 60 Hz | |
| Ambient Temp. Range Air | 50°F (10°C) | 100°F (43°C) |
| Water Temp. | 40°F (4.4°C) | 100°F (38°C) |
| Water Pressure | 20 PSIG (1.4 BAR) | 60 PSIG (4.1 BAR) |

Dimensions

| MODEL | W x D x H (in.) | W x D x H (mm) |
|-----------|-----------------|-------------------|
| EF250A32S | 32 x 28 x 41 | 813 x 711 x 1,041 |
| EF250A38S | 38 x 28 x 41 | 965 x 711 x 1,041 |

Specifications

| Model Number | Cabinet Width in. (mm) | Bin Size lbs (kg) | Cond. Unit | Ice Production per 24 hrs | | Water Usage gallons per 100 lbs of Ice 90°F air/70°F water | kWH Used per 100 lbs of ice @ 90°F air/70°F water | Voltage Characteristics | Min. Circuit Ampacity | Fuse Size | Approx. BTUs per hour |
|--------------|------------------------|-------------------|------------|------------------------------|------------------------------|--|---|-------------------------|-----------------------|-----------|-----------------------|
| | | | | 70°F air/50°F water lbs (kg) | 90°F air/70°F water lbs (kg) | | | | | | |
| EF250A32S | 32 (813) | 143 (65) | Air | 400 (182) | 319 (145) | 12 | 5.6 | 115/60/1 | 12.4 | 15 | 4,233 |
| EF250A38S | 38 (965) | 213 (97) | | | | | | | | | |

NOTES:
 Number of Wires: 3 (including ground)
 Approx. Shipping Weight lbs (kg): EF250A32S 240 (109) • EF250A38S 250 (114)
 Refrigerant Type: R404A