



# EF450 - SELF CONTAINED FLAKE ICE MAKER



## Features

- Produces up to 472 lbs (215 kg) of ice per day.
- Constructed with a rugged stainless steel transport system enclosed in polyurethane insulation.
- Removes excess water by pushing the flaked ice through an extrusion process – the result is high-quality flaked ice which is ideal for medical, supermarket or restaurant applications.
- Constructed from sturdy, corrosion-resistant stainless steel.
- Filter-Free Air – no air filter to change.

EF450 SELF CONTAINED FLAKE ICE MAKER

## Options & Accessories

WATER FILTERS			
Ice Machine Model	Manifold		Inline
	System	Replacement	System
EF450	IFQ1	IOMQ (1)	IFI4C / IFI8C

## Ice Maker Warranty

Every Ice-O-Matic ice maker is backed by a warranty that provides both parts and labor coverage.

- Two years **Parts** and **Labor**.
- Five years **Parts** coverage on the compressor.

## Ice Form



**FLAKED ICE**

## Space-Saving Solutions

- Self-contained insulated storage available in 143 lbs (65 kg), 213 lbs (97 kg).
- Your choice of 32" (965 mm), 38" (965 mm).
- Ultra-low profile – 41" (1041 mm) tall.
- Air intake on only one side.

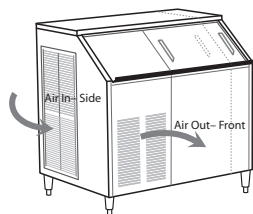
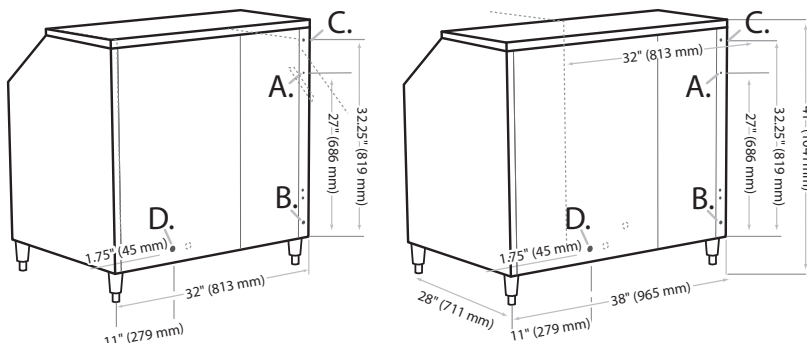


# EF450 - SELF CONTAINED FLAKE ICE MAKER

## Air Cooled

Please note: air-cooled units require 6" (152 mm) clearance for air intake and exhaust.

- A. Ice maker potable water in, 3/8" FPT.
- B. Drain, 1/2" i.d. plastic tubing.
- C. Hole for electrical connections.
- D. 3/4" bin drain .



EF450 SELF CONTAINED FLAKE ICE MAKER

## Operating Requirements

	MINIMUM	MAXIMUM
	<b>60 Hz</b>	
Ambient Temp. Range Air	50°F (10°C)	100°F (43°C)
Water Temp.	40°F (4.4°C)	100°F (38°C)
Water Pressure	20 PSIG (1.4 BAR)	60 PSIG (4.1 BAR)

## Dimensions

MODEL	W x D x H (in.)	W x D x H (mm)
EF450A32S	32 x 28 x 41	813 x 711 x 1041
EF450A38S	38 x 28 x 41	965 x 711 x 1041

## Specifications

Model Number	Cabinet Width in. (mm)	Bin Size lbs (kg)	Cond. Unit	Ice Production per 24 hrs		Water Usage gallons per 100 lbs of Ice 90°F air/ 70°F water	kWH Used per 100 lbs of ice @ 90°F air/ 70°F water	Voltage Characteristics	Min. Circuit Ampacity	Fuse Size	Approx. BTUs per hour
				70°F air/ 50°F water lbs (kg)	90°F air/ 70°F water lbs (kg)						
EF450A32S	32 (813)	143 (65)	Air	472 (215)	360 (164)	12	5.8	115/60/1	14.2	15	5,261
EF450A38S	38 (965)	213 (97)		472 (215)	360 (164)	12	5.8	115/60/1	14.2	15	5,261

NOTES:  
 Number of Wires: 3 (including ground)  
 Approx. Shipping Weight lbs (kg): EF450A32S 250 (114) • EF450A38S 260 (118)  
 Refrigerant Type: R404A