



GEMO650 ON IOD200

Features

- Space-saving 21" (533 mm) wide design.
- Produces up to 770 lbs (349 kg) of ice per day.
- Pearl Ice® soft, chewable ice crystals.
- Cools beverages faster and longer while maintaining flavors better.
- Decreased water and power usage compared to cube ice makers.
- SystemSafe load monitoring system constantly checks workload on gearbox, shutting down system before a problem develops and preventing costly repairs.
- Water Sensor eliminates low or no water failures and cannot be affected by adverse water conditions.
- Rugged stainless steel evaporator and auger ensures reliability.
- Industrial-grade roller bearings and heavy-duty gearbox provide years of trouble-free service.

GEMO650/O655 PEARL ICE® MAKER

Options & Accessories

| WATER FILTERS | | | |
|-------------------|----------|-------------|--------|
| Ice Machine Model | Manifold | | Inline |
| | System | Replacement | System |
| GEMO650 | IFQ1 | IOMQ (1) | N/A |
| GEMO655 | | | |

Ice Maker Warranty

Every Ice-O-Matic ice maker is backed by a warranty that provides both parts and labor coverage.

- Three years **Parts** and **Labor** for all Pearl Ice® ice maker parts.
- Five years **Parts** coverage on the compressor.

Ice Form



PEARL ICE

PEARL ICE DIMENSIONS

| | |
|----------------|------------|
| H x Dia. (in.) | 1/2 x 3/8 |
| H x Dia. (mm) | 12.7 x 9.5 |

Bin Chart Kits for Combining Wider Bins with Smaller Models

| ICE STORAGE BINS | | | | | | | | | | | |
|------------------|-------------------|------------------------------------|------------------------------------|------------------------------------|------------------------------------|------------------------------------|-------------------------------------|-------------------------------------|--------------------------------------|--------------------------------------|--------------------------------------|
| Kits | Model No. | B25 | B40 | B42 | B55 | B70-30 | B90-30 | B100 | B120 | B150 | B170 |
| | Capacity Width | 242 lbs (110 kg) 30 in (762 mm) | 344 lbs (156 kg) 30 in (762 mm) | 351 lbs (160 kg) 22 in (559 mm) | 510 lbs (232 kg) 30 in (762 mm) | 741 lbs (337 kg) 30 in (762 mm) | 1023 lbs (465 kg) 30 in (762 mm) | 854 lbs (388 kg) 48 in (1219 mm) | 1142 lbs (519 kg) 48 in (1219 mm) | 1447 lbs (658 kg) 60 in (1524 mm) | 1807 lbs (821 kg) 60 in (1524 mm) |
| | GEMO650 | KBT19 | | KBT24 | KBT19 | N/A | | KBT23 | | N/A | |
| | GEMO650 (2) | N/A | | | KBT22 | | | | | | |
| | GEMO655 | KBT19 | | KBT24 | KBT19 | | | KBT23 | | | |
| | GEMO655 (2) | N/A | | | KBT22 | | | | | | |

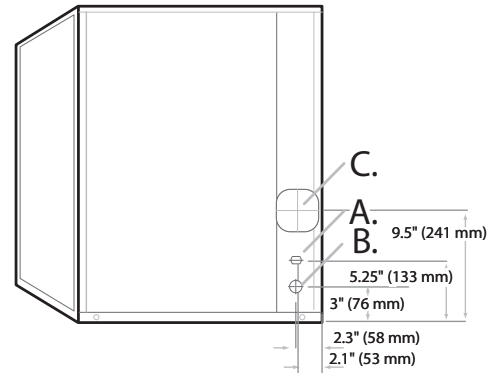
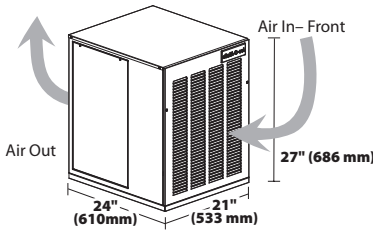
*See Ice-O-Matic Price List for Adapter Kits to combine ice makers with most available ice/beverage dispensers



Air Cooled

Please note: air-cooled units require 6" (152 mm) clearance for air intake and exhaust.

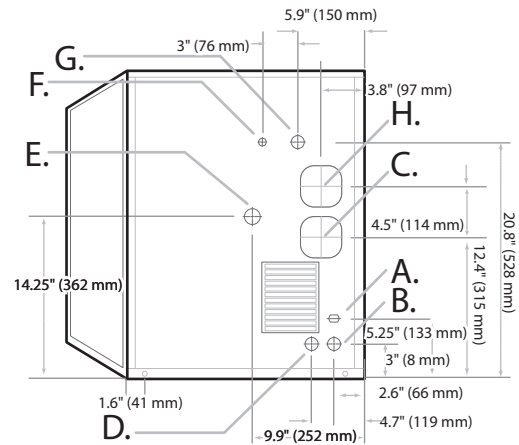
- A. Ice maker potable water in, 3/8" FPT.
- B. Ice maker water out, 3/4" FPT.
- C. Electrical inlet.



Rear View Air Cooled

Water Cooled/Remote

- A. Ice maker water in, 3/8" FPT.
- B. Ice maker water out, 3/4" FPT.
- C. Electrical inlet.
- D. Condenser water in, 3/8" (water cooled only).
- E. Condenser water out, 1/2" (water cooled only).
- F. Liquid line, 3/8" male coupling for precharged line set (remote only).
- G. Discharge line, 1/2" male coupling for precharged line set (remote only).
- H. Remote condenser junction box (remote only).



Rear View Water Cooled & Remote

Operating Requirements

| | MINIMUM | MAXIMUM | |
|-------------------------|-------------------|--------------------|------|
| | | 60 Hz | 50Hz |
| Ambient Temp. Range Air | 50°F (10°C) | 100°F (38°C) | |
| Water Temp. | 40°F (4.4°C) | 100°F (38°C) | |
| Water Pressure | 20 PSIG (1.4 BAR) | 120 PSIG (8.3 BAR) | |
| Remote Cond. Temps | -20°F (-29°C) | 120°F (50°C) | |

Dimensions

| ALL MODELS | |
|-----------------|-----------------|
| W x D x H (in.) | 21 x 24 x 27 |
| W x D x H (mm) | 533 x 610 x 686 |

Specifications

| Model Number | Cond. Unit | Ice Production per 24hrs | | Water Usage gallons per 100 lbs (45 kg) of ice | | kWH Used per 100 lbs (45 kg) of ice @ 90°F (32°C) air/70°F (21°C) water | Voltage Characteristics | Min. Circuit Ampacity | Fuse Size | Approx. BTUs per hour** |
|--------------|------------|--|--|--|-----------|---|-------------------------|-----------------------|-----------|-------------------------|
| | | 70°F (21°C) air/50°F (10°C) water lbs (kg) | 90°F (32°C) air/70°F (21°C) water lbs (kg) | Potable | Condenser | | | | | |
| GEMO650A | Air | 740 (336) | 550 (249) | 12.0 | - | 5.31 | 115/60/1 | 21.0 | 30 | 5,600 |
| GEMO650W | Water | 770 (349) | 633 (287) | | 115 | 3.4 | | | | |
| GEMO650R | Remote* | 770 (349) | 600 (272) | | - | 6.01 | | 23.5 | | |
| GEMO655A | Air | 665 (302) | 494 (224) | | 87.5 | 3.7 | 230/50/1 | 10.1 | 15 | 4,400 |
| GEMO655W | Water | 699 (317) | 578 (262) | | | | | 9.5 | | |

*Requires Remote GRC 1001 Condenser. **BTUH is calculated 0°F Evaporator, 100°F Condensing, and 33 PSIG.

NOTES:

Number of Wires: 3 (including ground)
 Approx. Shipping Weight lbs (kg): GEMO650A 205 (93) • GEMO650W 220 (100) • GEMO650R 220 (100) • GEMO655A 205 (93) • GEMO655W 200 (91)
 Refrigerant Type: R404A