



## Features

- Sea Salt Corrosion protection to improve the life of the condenser included.
- Designed for use with remote-cooled Cube ice machines from the ICE0500 to the ICE2106.
- Environmentally responsible – all VRC model condensers use R404A, an approved non-ozone depleting refrigerant.
- Constructed from sturdy, corrosion-resistant galvanized steel.
- Reduces air conditioning requirements and cost.
- Fan is located away from the ice maker ensuring quiet operation for customers.

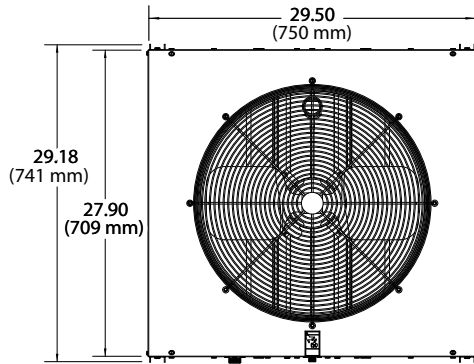
## Required Accessories

Model Number	Description	Shipping Weight lbs (kg)
RT-325-4O4	25 ft (7.6 m) Precharged Tubing Kit for R4O4A Models	13 (6)
RT-340-4O4	40 ft (12.0 m) Precharged Tubing Kit for R4O4A Models	18 (8)
RT-360-4O4	60 ft (18.2 m) Precharged Tubing Kit for R4O4A Models	26 (12)
RT-375-4O4	75 ft (22.9 m) Precharged Tubing Kit for R4O4A Models	35 (16)

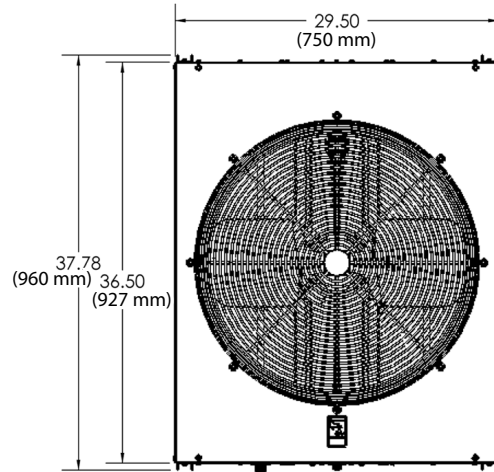
(Note: Specify length when ordering)

## Specifications

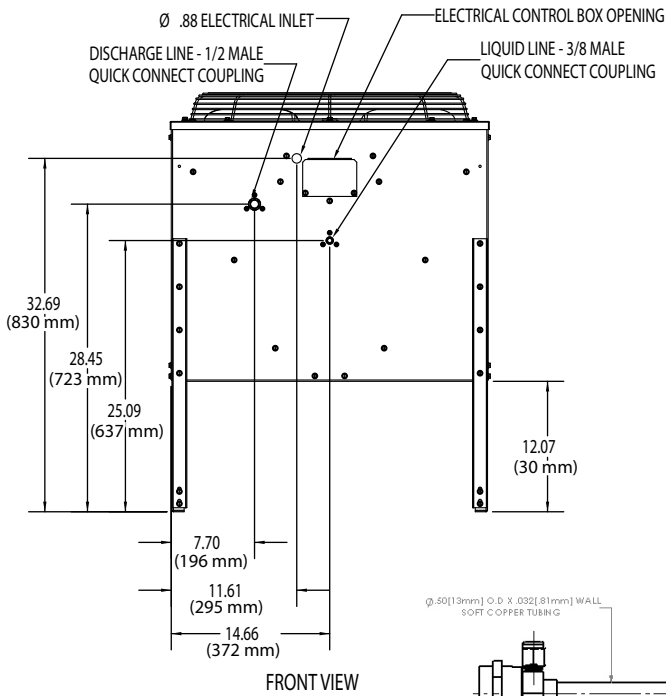
Model Number	Description	Voltage Characteristics	Shipping Weight lbs (kg)
VRC-1001B	Remote Condenser for model ICE0500	115/60/1	122 (55)
VRC-1061B	Remote Condenser for model ICE0606	208-230/50-60/1	124 (56)
VRC-2061B	Remote Condenser for models ICE0806, ICE1006, ICE1007		126 (57)
VRC-2661B	Remote Condenser for models ICE1407, ICE1406, ICE1405, ICE1506		145 (66)
VRC-5061B	Remote Condenser for models ICE1806, ICE1807, ICE2106, ICE2107		



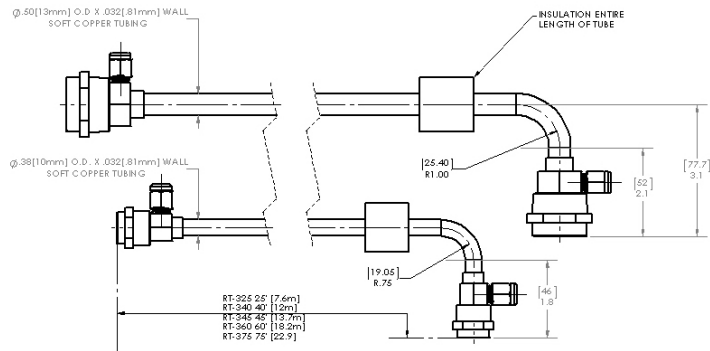
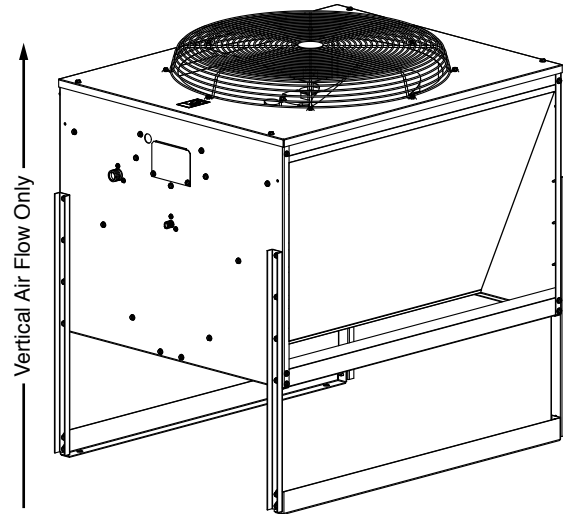
TOP VIEW--VRC1001B, 1061B, 2061B, 2661B



TOP VIEW--VRC5061B



FRONT VIEW



NOTES:  
Number of Wires: 3 (including ground)  
Refrigerant Type: R404A