



PORTABLE CASH REGISTER STAND WITH LOCKING DOOR



Includes Lock & Key

Item #: _____ Qty #: _____

Model #: _____

Project #: _____

FEATURES:

- Flat top
- Locking door
- Mid-shelf
- Continuous perimeter bumpers
- Adjustable european flush mount hinges

MATERIAL:

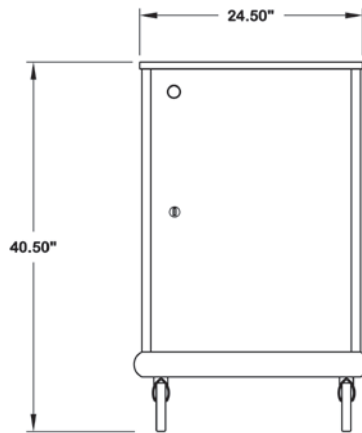
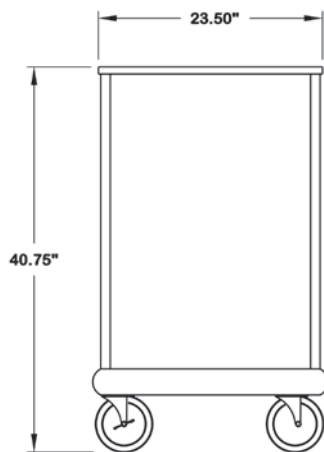
CONSTRUCTION: stainless steel construction (Interior, frame and bottom). Door, top and side panels are black laminate

CASTERS: Rubber

DIMENSIONS and SPECIFICATIONS

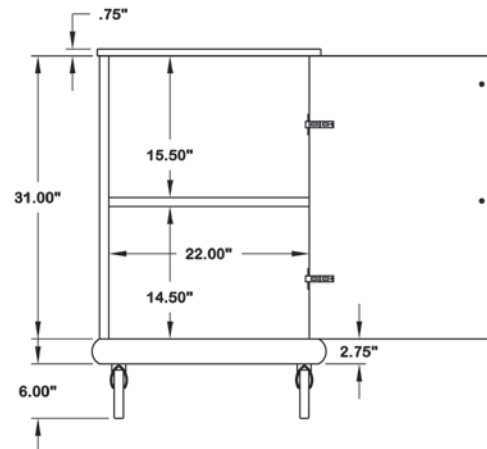
TOL ± .125"

ALL DIMENSIONS ARE TYPICAL



Model #	Weight	Cubic Ft.
AMD-B	160	25.5

Custom Colors Available!



Customer Service Available To Assist You 1-800-645-3166 8:30 am - 8:00 pm E.S.T.

For Orders & Customer Service:

Email: customer@advancetabco.com or Fax: 631-242-6900

For Smart Fabrication™ Quotes:

Email: smartfab@advancetabco.com or Fax: 631-586-2933