



# HEAVY DUTY PORTABLE BAR WITH STAINLESS STEEL INTERIOR

Item #: \_\_\_\_\_ Qty #: \_\_\_\_\_  
 Model #: \_\_\_\_\_  
 Project #: \_\_\_\_\_

**FEATURES:**

All Stainless Steel Interior  
 19" x 13-1/2" x 11" insulated ice bin. Complete with drain & shut-off valve  
 Full perimeter bumpers

**COLD PLATE MODELS:**

Two 19" x 13-1/2" x 11" insulated ice bin with 7 Circuit Post Mix Cold Plate. Includes Stainless Steel bottom, complete with drain & shut-off valve  
 4 - 6" Heavy Duty Swivel Casters, 2 with brakes

**MATERIAL:**

**CONSTRUCTION:** Mica Laminate, black finish  
 Stainless steel bottom  
**UNIT:** Stainless Steel top, back, sides & bottom  
**WORK AREA:** Stainless Steel  
**CASTERS:** Rubber  
**SPEED RAILS:** Stainless Steel

**DESIGNED FOR HEAVY-DUTY USE**

**Custom Colors Available!  
 (Exterior Only. See below for details)**



**AMS-5B Shown**



**AMD-6B Shown**

Model #	Size L x W x H	Storage Cabinet Dim.	Bar Top Width	Weight	Cubic Feet
AMS-5B	61" x 23" x 47"	58" x 21" x 18.5"	12"	315	50
AMS-6B	74" x 23" x 47"	23.5" x 21" x 27.5"	12"	350	60
<b>7 Circuit Post Mix Cold Plate Units</b>					
AMS-5B-7	61" x 23" x 47"	58" x 21" x 18.5"	12"	370	50
AMS-6B-7	74" x 23" x 47"	23.5" x 21" x 27.5"	12"	420	60
<b>UNITS WITH STAINLESS STEEL DOORS</b>					
AMD-5B	61" x 23" x 47"	58" x 21" x 18.5"	12"	315	50
AMD-6B*	74" x 23" x 47"	23.5" x 21" x 27.5"	12"	350	60
<b>7 Circuit Post Mix Cold Plate Units</b>					
AMD-5B-7	61" x 23" x 47"	58" x 21" x 18.5"	12"	370	50
AMD-6B-7*	74" x 23" x 47"	23.5" x 21" x 27.5"	12"	420	60

*\*Units Include Center Stainless Steel Panel For Extra Support*

**Available Accessories**

Custom Mica Colors - **Model A-74**  
 (Custom colors include exterior finishes only (Bar front, doors-if applicable and bar top. All interiors are standard black finish)



**Customer Service Available To Assist You 1-800-645-3166 8:30 am - 8:00 pm E.S.T.**

For Orders & Customer Service:  
 Email: customer@advancetabco.com or Fax: 631-242-6900

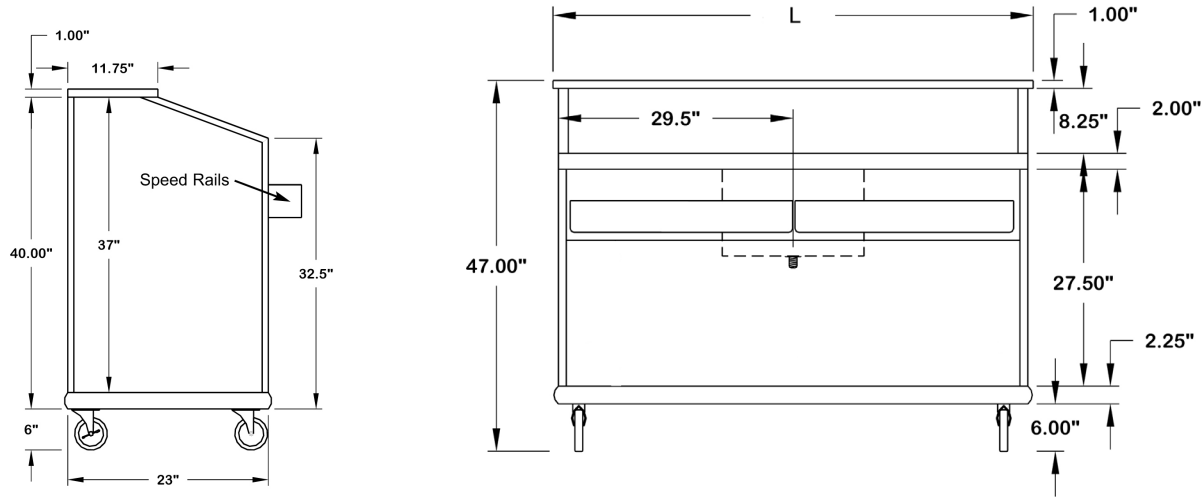
For Smart Fabrication™ Quotes:  
 Email: smartfab@advancetabco.com or Fax: 631-586-2933

# DIMENSIONS and SPECIFICATIONS

TOL ± .125"

ALL DIMENSIONS ARE TYPICAL

## AMS SERIES



## AMD SERIES

