



STAINLESS STEEL Glass Rack Storage Units NSF 21" Wide Units

| | |
|------------------|--------------|
| Item #: _____ | Qty #: _____ |
| Model #: _____ | |
| Project #: _____ | |



INCLUDES
**Adjustable Stainless Steel
Glass Rack Slides**



CRCR-24-CT Shown
Holds Up To 3 Glass Racks

FEATURES:

- Enclosed base case with adjustable stainless steel glass rack slides.
- Holds up to three glass racks.
- Flat or corrugated tops available.
- Drain located in back right of top (corrugated top model only).
- 3" diameter drain hole in back panel for plumbing.
- Stainless steel legs with adjustable stainless steel bullet feet.
- 4" backsplash.

MATERIAL:

- 20 gauge, 300 stainless steel
- Backsplash:** 22 gauge, 300 stainless steel
- Glass Rack Slides:** 18 gauge, 300 stainless steel
- Drainboard:** 22 gauge, 300 stainless steel (CRCR-24-CT only)
- Legs:** 1 5/8" O.D. 16 gauge, stainless steel with adjustable plastic bullet feet

MECHANICAL:

- 1" IPS drain

| Model # | Description | Size W x L x H | Btm. Drain Location | Glass Rack Capacity* | Approx. Weight | Approx. Cu. Ft. |
|------------|----------------|-------------------|------------------------|-------------------------|-------------------|--------------------|
| CRCR-24 | Flat Top | 21" x 24" x 33" | N/A | 3 | 52 lbs. | 13 |
| CRCR-24-CT | Corrugated Top | 21" x 24" x 33" | 11 1/2" | 3 | 52 lbs. | 13 |

**Sizes Of Glass Racks Vary*



Customer Service Available To Assist You 1-800-645-3166 8:30 am - 8:00 pm E.S.T.

For Orders & Customer Service:
Email: customer@advancetabco.com or Fax: 631-242-6900

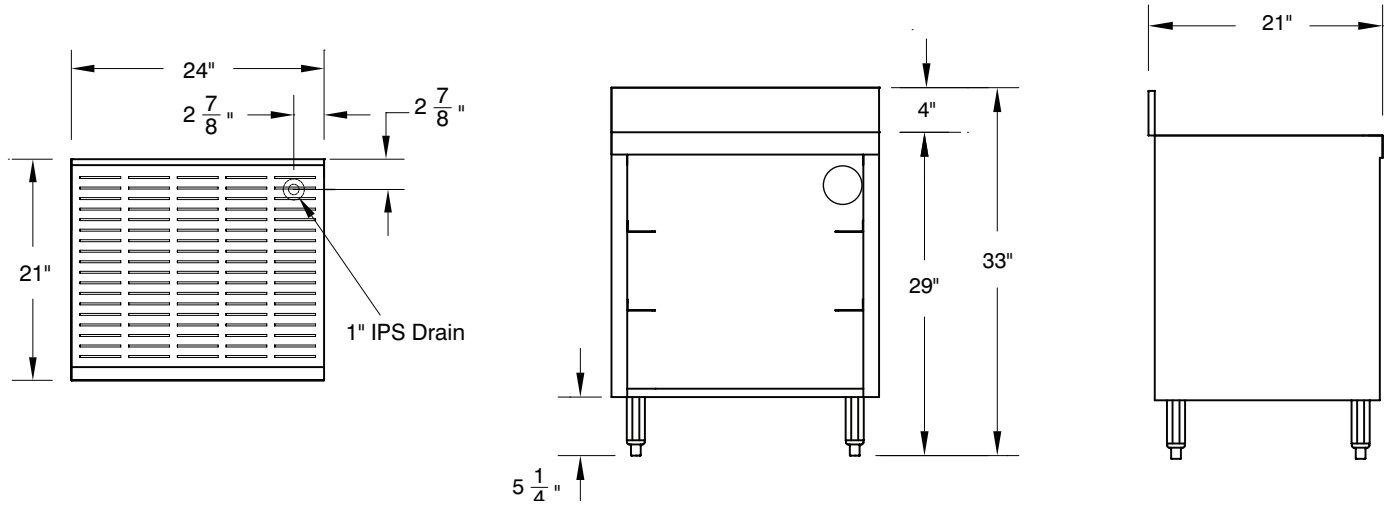
For Smart Fabrication™ Quotes:
Email: smartfab@advancetabco.com or Fax: 631-586-2933

DIMENSIONS and SPECIFICATIONS

TOL Overall: $\pm .500"$ Interior: $\pm .250"$

ALL DIMENSIONS ARE TYPICAL

CRCR-24-CT



CRCR-24

