



# STAINLESS STEEL Free-Standing Bar Drainboards

## 18" and 21" Wide Units

Item #: \_\_\_\_\_ Qty #: \_\_\_\_\_

Model #: \_\_\_\_\_

Project #: \_\_\_\_\_



**SLD Series**  
*18" Wide Units*

**FEATURES:**

Embossed and seamless drainboard with drain.  
4" backsplash.  
Galvanized legs with adjustable plastic bullet feet.  
Adjustable galvanized side cross-bracing.  
**CRD Series** has rear deck for extra storage.

**MECHANICAL:**

1" IPS drain

**MATERIAL:**

22 gauge, 300 stainless steel  
**Sides:** 20 gauge, 430 stainless steel  
**Understructure:** 22 gauge galvaneal front/back;  
11 gauge electrogalvaneal leg channel  
**Legs:** 1 5/8" O.D. 18 gauge, galvanized steel with adjustable plastic bullet feet

**OPTIONAL:**

- SU-10A** - 18" stainless steel legs with cross-bracing
- SU-40** - Prep unit for installation of speed rail
- SU-68** - Omit corrugation on drainboard
- SU-1824R or L** - Make SLD-2-X a corner drainboard
- SU-2124R or L** - Make CRD-2-X a corner drainboard



**CRD Series**  
*21" Wide Units*

18" WIDE			21" WIDE			O.A. Length (A)
Model #	Approx. Weight	Approx. Cu. Ft.	Model #	Approx. Weight	Approx. Cu. Ft.	
SLD-12	26 lbs.	7	CRD-12	28 lbs.	8	12"
SLD-18	29 lbs.	7	CRD-18	30 lbs.	8	18"
SLD-2	35 lbs.	7	CRD-2	39 lbs.	8	24"
SLD-30	40 lbs.	10	CRD-30	41 lbs.	12	30"
SLD-3	42 lbs.	10	CRD-3	47 lbs.	12	36"
SLD-4	55 lbs.	12	CRD-4	51 lbs.	16	48"



**Customer Service Available To Assist You 1-800-645-3166 8:30 am - 8:00 pm E.S.T.**

For Orders & Customer Service:  
Email: [customer@advancetabco.com](mailto:customer@advancetabco.com) or Fax: 631-242-6900

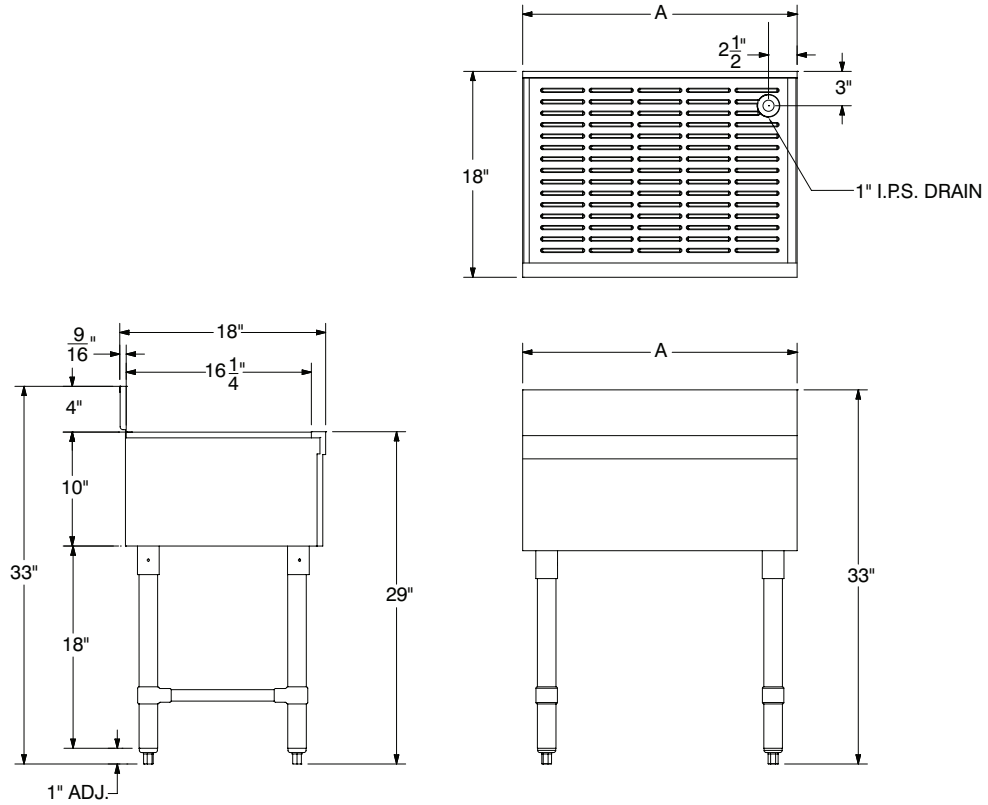
For Smart Fabrication™ Quotes:  
Email: [smartfab@advancetabco.com](mailto:smartfab@advancetabco.com) or Fax: 631-586-2933

# DIMENSIONS and SPECIFICATIONS

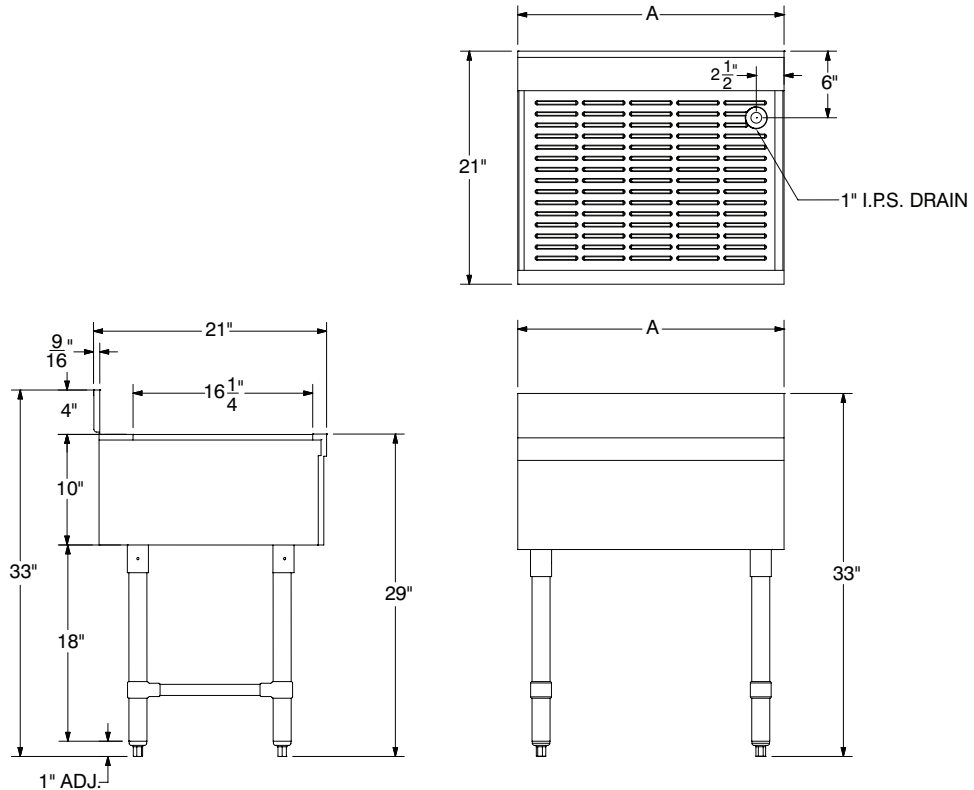
TOL Overall: ± .500" Interior: ± .250"

ALL DIMENSIONS ARE TYPICAL

## SLD Series



## CRD Series



ADVANCE TABCO is constantly engaged in a program of improving our products. Therefore, we reserve the right to change specifications without prior notice.

© ADVANCE TABCO, JUNE 2019