



# STAINLESS STEEL Underbar Hand Sinks 18" and 21" Wide Units

Item #: _____	Qty #: _____
Model #: _____	
Project #: _____	

**SL-HS Series**  
18" Wide Units With  
Splash Mount Faucets



**CR-HS Series**  
21" Wide Units With  
Deck Mount Faucets

Conforms To NSF 61/9 Lead Free Requirements

**FEATURES:**

- 29" Working Height
- 10" x 14" x 8" sink bowl.
- 4" backsplash.
- Includes four galvanized legs with adjustable plastic bullet feet.
- Adjustable galvanized side cross-bracing.
- CR-HS Series** has rear deck for extra storage

**MECHANICAL:**

- SL-HS Series:** Includes K-125 splash mount swing spout faucet.
- CR-HS Series:** Includes K-51 deck mount swing spout faucet.
- All faucets meet federal lead free standards.**
- 1 1/2" IPS drain

**MATERIAL:**

- Sink Bowl & Sides:** 20 gauge, 300 stainless steel
- Front Apron & Backsplash:** 22 gauge, 300 stainless steel
- Legs:** 1 5/8" O.D. 18 gauge, galvanized steel with adjustable plastic bullet feet

**OPTIONAL:**

- A-15** - Chrome towel ring (packed loose)
- K-316-LU** - Add wrist handles
- SU-10A** - 18" stainless steel leg upgrade with cross-bracing
- SU-18R or L** - Right or left side splash for 18" wide sink
- SU-18RL** - Right and left side splash for 18" wide sink
- SU-21R or L** - Right or left side splash for 21" wide sink
- SU-21RL** - Right and left side splash for 21" wide sink
- SU-40** - Prep unit for installation of speed rail

For More Accessories & Modifications, Visit Us At [www.advancetabco.com](http://www.advancetabco.com).

18" WIDE Model #	Approx. Weight	Approx. Cu. Ft.	21" WIDE Model #	Approx. Weight	Approx. Cu. Ft.	O.A. Length (A)	Drain Location (B)
SL-HS-12	31 lbs.	5	CR-HS-12	32 lbs.	5	12"	4 1/2"
SL-HS-15	34 lbs.	6	CR-HS-15	35 lbs.	6	15"	6"

 **WARNING:** Equipment that include faucets on this page may contain a chemical known to the State of California to cause cancer, birth defects or other reproductive harm.



Customer Service Available To Assist You **1-800-645-3166** 8:30 am - 7:00 pm E.S.T.

For Orders & Customer Service:  
Email: [customer@advancetabco.com](mailto:customer@advancetabco.com) or Fax: 631-242-6900

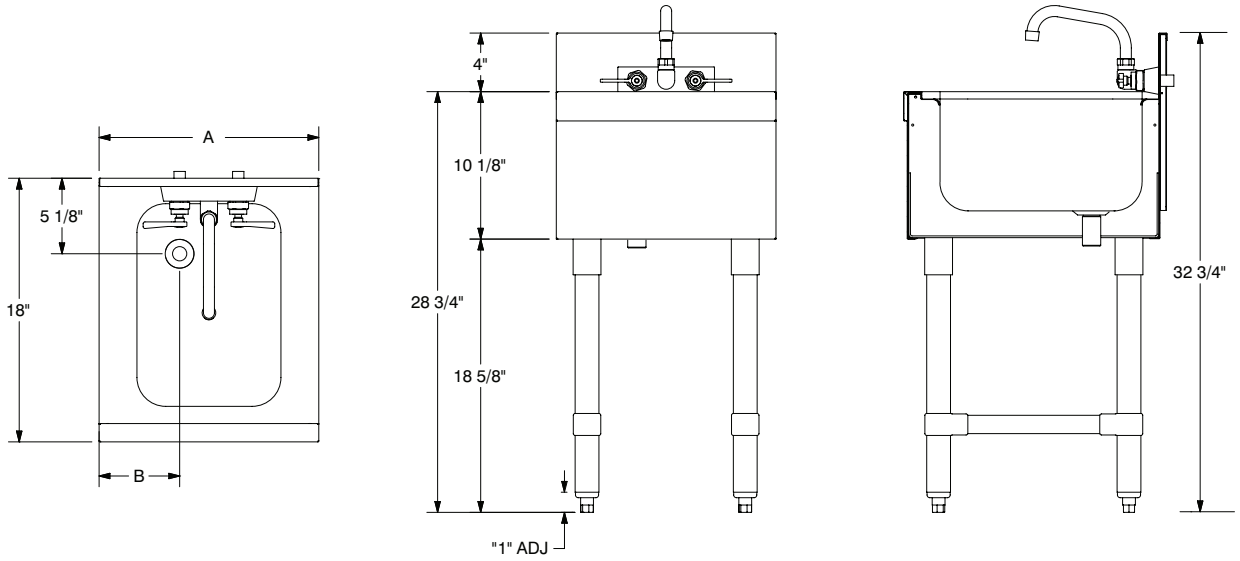
For Smart Fabrication™ Quotes:  
Email: [smartfab@advancetabco.com](mailto:smartfab@advancetabco.com) or Fax: 631-586-2933

# DIMENSIONS and SPECIFICATIONS

TOL Overall:  $\pm .500"$  Interior:  $\pm .250"$

ALL DIMENSIONS ARE TYPICAL

## SL-HS Series



## CR-HS Series

