



STAINLESS STEEL

Ice Bins w/ 7-Circuit Cold Plate NSF

18" and 21" Wide Units



SLI Series
18" Wide Units



CRI Series
21" Wide Units



| | |
|------------------|--------------|
| Item #: _____ | Qty #: _____ |
| Model #: _____ | |
| Project #: _____ | |

MATERIAL:

Ice Bin, Front Apron, Backsplash: 22 gauge, 300 stainless steel
Sides: 20 gauge, 430 stainless steel
Understructure: 22 gauge galvaneal front/back; 11 gauge electrogalvaneal leg channel
Legs: 1 5/8" O.D. 18 gauge, galvanized steel with adjustable plastic bullet feet
Ice Bin Insulation: 2 lbs. density styrofoam
Cold Plate: Cast aluminum with 7 circuits (5 syrup and 2 water lines) with 5/16" diameter stainless steel bump and swedge ends.

MECHANICAL:

1" IPS drain - non cold plate bin
 1/2" IPS drain - cold plate bin

OPTIONAL:

- SU-10B** - 10" stainless steel leg upgrade (for 16" deep ice bins)
- SU-10C** - 14" stainless steel leg upgrade (for 12" deep ice bins)
- SU-13** - 10-circuit cold plate upgrade
- SU-30** - Soda chase provision
- SU-40** - Prep unit for installation of speed rail
- SSC-12** - Sliding cover for 12" ice bin
- SSC-24** - Sliding cover for 24" ice bin
- SSC-30** - Sliding cover for 30" ice bin
- SSC-36** - Sliding cover for 36" ice bin
- SSC-42** - Sliding cover for 42" ice bin
- SSC-48** - Sliding cover for 48" ice bin



Optional Sliding Stainless Steel Cover Shown

FEATURES:

- Insulated ice bins are 12" or 16" deep.
- 7-Circuit cold plate sealed into the bottom of ice bin.
- 4" backsplash.
- Two removable injection molded 3-pack plastic bottle racks.
- Galvanized legs with adjustable plastic bullet feet.
- Adjustable galvanized side cross-bracing.
- CRI Series** has rear deck for extra storage.

NOTE: Bottle Racks Must Be Removed For NSF Compliance & For Use With Optional Cover.

| 18" WIDE Model # | Approx. Weight | Approx. Cu. Ft. | 21" WIDE Model # | Approx. Weight | Approx. Cu. Ft. | O.A. Length (A) | Dist. To Drain (B) | Ice Bin Depth (C) | O.A. Height of Bin (D) | O.A. Leg Height (E) | Ice Bin Capacity |
|---------------------|----------------|-----------------|---------------------|----------------|-----------------|-----------------|--------------------|-------------------|------------------------|---------------------|------------------|
| SLI-12-24-7 | 88 lbs. | 7 | CRI-12-24-7 | 93 lbs. | 8 | 24" | 12" | 12" DEEP | 14" | 14" | 77 lbs. |
| SLI-12-30-7 | 92 lbs. | 11 | CRI-12-30-7 | 95 lbs. | 11 | 30" | 15" | | 14" | 14" | 98 lbs. |
| SLI-12-36-7 | 98 lbs. | 13 | CRI-12-36-7 | 102 lbs. | 13 | 36" | 18" | | 14" | 14" | 119 lbs. |
| SLI-12-42-7 | 105 lbs. | 13 | CRI-12-42-7 | 108 lbs. | 13 | 42" | 21" | | 14" | 14" | 140 lbs. |
| SLI-12-48-7 | 110 lbs. | 14 | CRI-12-48-7 | 119 lbs. | 14 | 48" | 24" | | 14" | 14" | 161 lbs. |
| SLI-16-24-7 | 96 lbs. | 7 | CRI-16-24-7 | 103 lbs. | 8 | 24" | 12" | 16" DEEP | 18" | 10" | 100 lbs. |
| SLI-16-30-7 | 104 lbs. | 12 | CRI-16-30-7 | 115 lbs. | 12 | 30" | 15" | | 18" | 10" | 127 lbs. |
| SLI-16-36-7 | 112 lbs. | 16 | CRI-16-36-7 | 120 lbs. | 17 | 36" | 18" | | 18" | 10" | 155 lbs. |



Customer Service Available To Assist You 1-800-645-3166 8:30 am - 8:00 pm E.S.T.

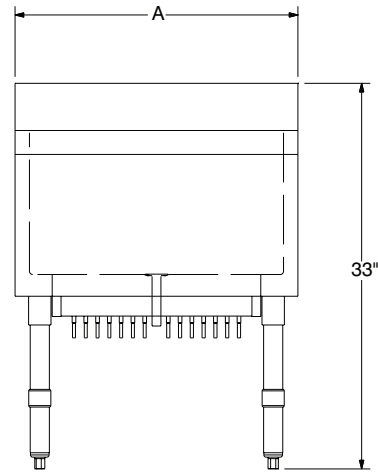
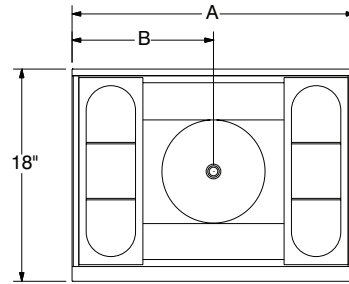
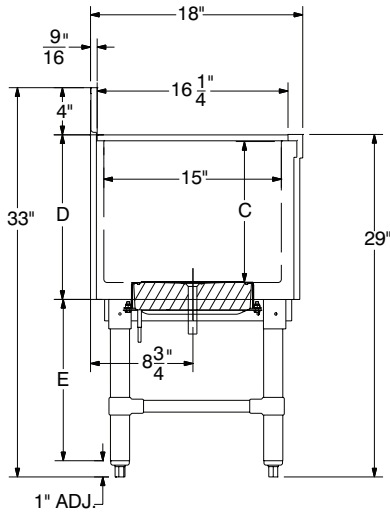
For Orders & Customer Service:
 Email: customer@advancetabco.com or Fax: 631-242-6900

For Smart Fabrication™ Quotes:
 Email: smartfab@advancetabco.com or Fax: 631-586-2933

DIMENSIONS and SPECIFICATIONS

SLI-7 Series

w/ 7-CIRCUIT COLD PLATE



CRI-7 Series

w/ 7-CIRCUIT COLD PLATE

