



STAINLESS STEEL Ice Bins w/ Cold Plate 18" and 21" Wide Units



SLI Series
18" Wide Units



CRI Series
21" Wide Units

Item #: _____ Qty #: _____

Model #: _____

Project #: _____

MATERIAL:

Ice Bin, Front Apron, Backsplash: 22 gauge, 300 stainless steel

Sides: 20 gauge, 430 stainless steel

Understructure: 22 gauge galvaneal front/back;
11 gauge electrogalvaneal leg channel

Legs: 1 5/8" O.D. 18 gauge, galvanized steel
with adjustable plastic bullet feet

Ice Bin Insulation: Foam Insulation

Cold Plate: Cast aluminum with 7 circuits (5 syrup
and 2 water lines) with 5/16" diameter stainless steel bump
and swedge ends.

MECHANICAL:

1/2" IPS drain - cold plate bin

FEATURES:

Insulated ice bins are 12" or 16" deep.

7-Circuit cold plate sealed into the bottom of ice bin.

4" backsplash.

Two removable injection molded 3-pack plastic bottle racks.

Galvanized legs with adjustable plastic bullet feet.

Adjustable galvanized side cross-bracing.

CRI Series has rear deck for extra storage.

NOTE: Bottle Racks Must Be Removed For NSF Compliance & For Use With Optional Cover.

18" WIDE Model #	Approx. Weight	Approx. Cu. Ft.	21" WIDE Model #	Approx. Weight	Approx. Cu. Ft.	O.A. Length (A)	Dist. To Drain (B)	Ice Bin Depth (C)	O.A. Height of Bin (D)	O.A. Leg Height (E)	Inside Bin Width (F)	Ice Bin Capacity
7-CIRCUIT COLD PLATE UNITS												
SLI-12-24-7	88 lbs.	7	CRI-12-24-7	93 lbs.	8	24"	12"	12" DEEP	14"	14"	21 5/8"	77 lbs.
SLI-12-30-7	92 lbs.	11	CRI-12-30-7	95 lbs.	11	30"	15"		14"	14"	27 5/8"	98 lbs.
SLI-12-36-7	98 lbs.	13	CRI-12-36-7	102 lbs.	13	36"	18"		14"	14"	33 5/8"	119 lbs.
SLI-12-42-7	105 lbs.	13	CRI-12-42-7	108 lbs.	13	42"	21"		14"	14"	39 5/8"	140 lbs.
SLI-12-48-7	110 lbs.	14	CRI-12-48-7	119 lbs.	14	48"	24"		14"	14"	45 5/8"	161 lbs.
SLI-16-24-7	96 lbs.	7	CRI-16-24-7	103 lbs.	8	24"	12"	16" DEEP	18"	10"	21 5/8"	100 lbs.
SLI-16-30-7	104 lbs.	12	CRI-16-30-7	115 lbs.	12	30"	15"		18"	10"	27 5/8"	127 lbs.
SLI-16-36-7	112 lbs.	16	CRI-16-36-7	120 lbs.	17	36"	18"		18"	10"	33 5/8"	155 lbs.
10-CIRCUIT COLD PLATE UNITS												
SLI-12-30-10	132 lbs.	11	CRI-12-30-10	141 lbs.	11	30"	15"	12" DEEP	14"	14"	27 5/8"	98 lbs.
SLI-12-36-10	140 lbs.	13	CRI-12-36-10	149 lbs.	13	36"	18"		14"	14"	33 5/8"	119 lbs.
SLI-12-42-10	144 lbs.	13	CRI-12-42-10	153 lbs.	13	42"	21"		14"	14"	39 5/8"	140 lbs.
SLI-12-48-10	159 lbs.	14	CRI-12-48-10	168 lbs.	14	48"	24"		14"	14"	45 5/8"	161 lbs.
SLI-16-30-10	104 lbs.	12	CRI-16-30-10	115 lbs.	12	30"	15"	16" DEEP	18"	10"	27 5/8"	127 lbs.
SLI-16-36-10	112 lbs.	16	CRI-16-36-10	120 lbs.	17	36"	18"		18"	10"	33 5/8"	155 lbs.

OPTIONAL:

SSC-12 - Sliding cover for 12" ice bin

SSC-24 - Sliding cover for 24" ice bin

SSC-30 - Sliding cover for 30" ice bin

SSC-36 - Sliding cover for 36" ice bin

SSC-42 - Sliding cover for 42" ice bin

SSC-48 - Sliding cover for 48" ice bin



Optional Sliding
Stainless Steel Cover
Shown



Customer Service Available To Assist You **1-800-645-3166** 8:30 am - 8:00 pm E.S.T.

For Orders & Customer Service:

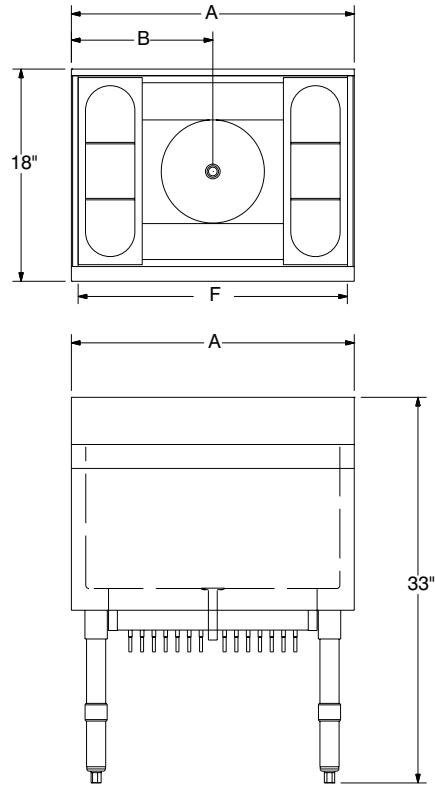
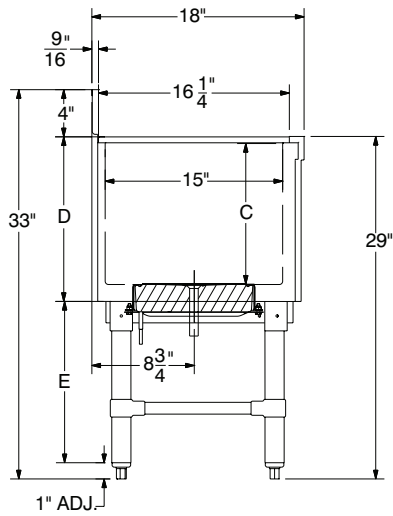
Email: customer@advancetabco.com or Fax: 631-242-6900

For Smart Fabrication™ Quotes:

Email: smartfab@advancetabco.com or Fax: 631-586-2933

DIMENSIONS and SPECIFICATIONS

SLI Cold Plate Series



CRI Cold Plate Series

