

# Challenger

Spec Sheet No. CR-3

Job Name \_\_\_\_\_

Item # \_\_\_\_\_ Qty. \_\_\_\_\_

Model # \_\_\_\_\_

## Ice Chests

### 8" Deep

CRJ-15  
CRJ-24  
CRJ-36

### 8" Deep w/ Cold Plate

CRJ-24-7  
CRJ-36-7

### 16" Deep

CRI-16-24  
CRI-16-30  
CRI-16-36

### 16" Deep w/ Cold Plate

CRI-16-24-7  
CRI-16-30-7  
CRI-16-36-7

### 12" Deep

CRI-12-12  
CRI-12-24  
CRI-12-30  
CRI-12-36  
CRI-12-42  
CRI-12-48

### 12" Deep w/ Cold Plate

CRI-12-24-7  
CRI-12-30-7  
CRI-12-36-7  
CRI-12-42-7  
CRI-12-48-7



CRJ-36 is shown.

## Specifications

•**Ice Bin:** 22 gauge 300 series stainless steel.

•**Front Apron:** 22 gauge 300 series stainless steel.

•**Sides:** 20 gauge 430 series stainless steel.

•**Backsplash:** 22 gauge 300 series stainless steel.

•**Insulation:**  
2 lb. density styrofoam - non cold plate.  
2 lb. density foam-in-place - cold plate.

•**Under Structure:** 22 gauge galvanneal fronts and backs, 11 gauge electrogalvanneal leg channel.

•**Legs:** 1-5/8" O.D. 18 gauge galvanized with electro static black powder coat and black plastic adjustable bullet feet. To include stainless steel legs add the suffix -SS.(Optional)

•**Cold Plate:** Cast aluminum with 7 circuits sealed into the bottom. Tubing to have 5 syrup and 2 water lines with 5/16" diameter stainless steel bump and swedge ends. (Optional)

•**Plumbing:**  
1" I.P.S. drain - non cold plate chest.  
1/2" I.P.S. drain - cold plate chest.

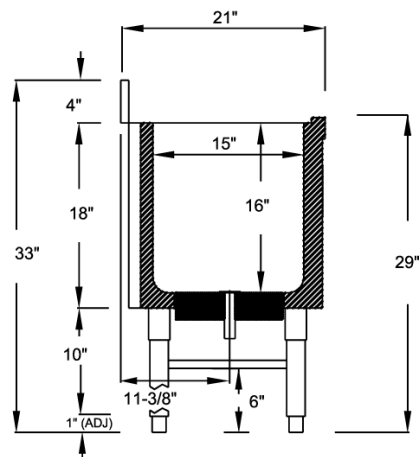
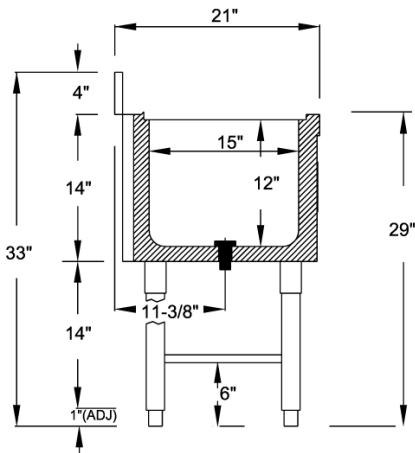
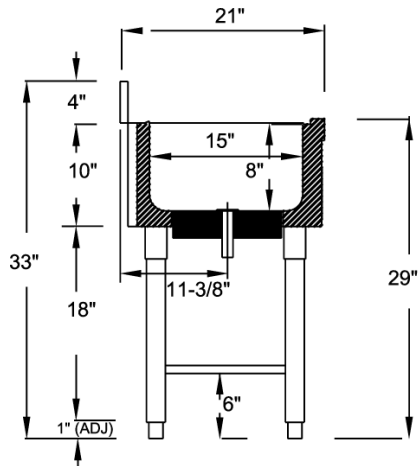
•**Bottle Rack:** (2) Injection molded plastic.



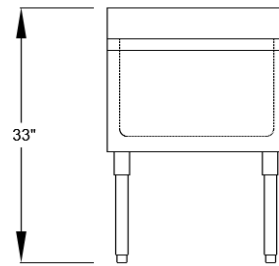
# Supreme Metal

Toll Free: 800-645-2526  
Fax: 770-740-6010  
www.suprememetal.com

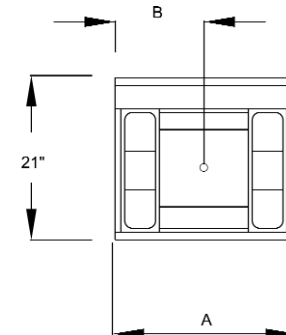
# Challenger



**Sectional View**



**Elevation**



**Plan View**

Model Number	Overall Length (A)	Dis. to Drain (B)	Ice Capacity	Packaged Weight	Cubic Feet
<b>8" Deep Ice Bins</b>					
CRJ-15	15"	7.5"	30 lbs.	48 Lbs.	6
CRJ-24	23"	11.5"	54 lbs.	53 Lbs.	7.2
CRJ-36	35"	17.5"	83 lbs	66 Lbs.	10.1
<b>8" Deep Ice Bins w/ 7 Circuit Cold Plates</b>					
CRJ-24-7	23"	11.5"	54 lbs.	87 lbs.	7.2
CRJ-36-7	35"	17.5"	83 lbs.	102 lbs.	10.1
<b>12" Deep Ice Bins</b>					
CRI-12-12	12"	6"	35 lbs.	28 Lbs.	6
CRI-12-24	23"	11.5"	77 lbs.	61 Lbs.	8
CRI-12-30	29"	14.5"	98 lbs.	67 Lbs.	11
CRI-12-36	35"	17.5"	119 lbs.	74 Lbs.	12.6
CRI-12-42	41"	20.5"	140 lbs.	78 Lbs.	13
CRI-12-48	47"	23.5"	161 lbs.	86 Lbs.	13.9
<b>12" Deep Ice Bins w/ 7 Circuit Cold Plates</b>					
CRI-12-24-7	23"	11.5"	77 lbs.	93 Lbs.	8
CRI-12-30-7	29"	14.5"	98 lbs.	95 Lbs.	11
CRI-12-36-7	35"	17.5"	119 lbs.	102 Lbs.	12.6
CRI-12-42-7	41"	20.5"	140 lbs.	108 Lbs.	13
CRI-12-48-7	47"	23.5"	161 lbs.	119 Lbs.	13.9
<b>16" Deep Ice Bins</b>					
CRI-16-24	23"	11.5"	100 lbs.	68 lbs.	8
CRI-16-30	29"	14.5"	127 lbs.	76 lbs.	12
CRI-16-36	35"	17.5"	155 lbs.	84 lbs.	17
<b>16" Deep Ice Bins w/ 7 Circuit Cold Plates</b>					
CRI-16-24-7	23"	11.5"	100 lbs.	103 lbs.	8
CRI-16-30-7	29"	14.5"	127 lbs.	115 lbs.	12
CRI-16-36-7	35"	17.5"	155 lbs.	120 lbs.	17

SupremeMetal is constantly engaged in a program of improving their products. We reserve the right to change our specifications without prior notice.