

Challenger

Spec Sheet No. CR-28

Job Name _____

Item # _____ Qty. _____

Model # _____

Liquor Rack

Model

CRLR-12
CRLR-18
CRLR-24
CRLR-30
CRLR-36

Locking Cover Model

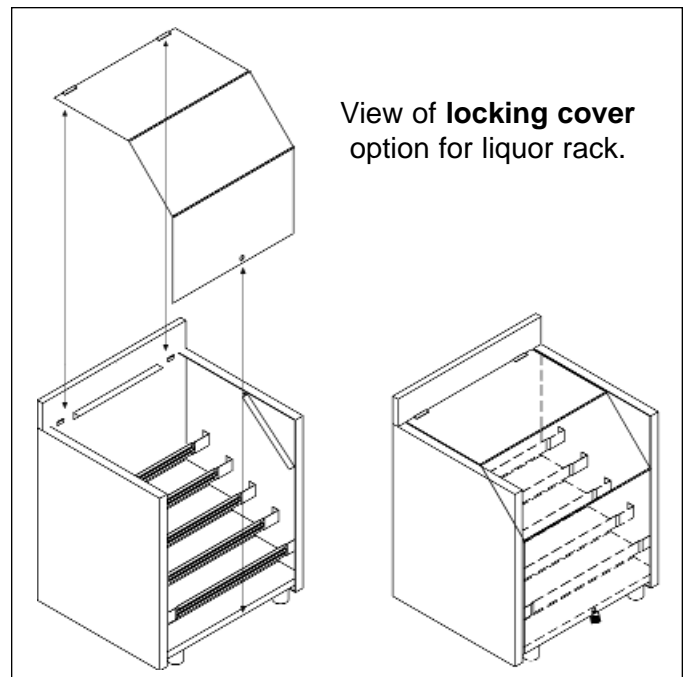
CRLR-12-LC
CRLR-18-LC
CRLR-24-LC
CRLR-30-LC
CRLR-36-LC



CRLR-24 is shown.

Specifications

- Interior:** 20 gauge 300 series stainless steel.
- Sides:** 20 gauge 300series stainless steel.
- Backsplash:** 22 gauge 300 series stainless steel.
- Steps:** 18 gauge 300 series stainless steel.
- Legs:** 1-⁵/₈" O.D. 16 gauge stainless steel with plastic adjustable bullet feet.
- Locking Cover*:** 20 gauge 300 series stainless steel with piano hinges and keyed padlock.
**Available on -LC models only.*



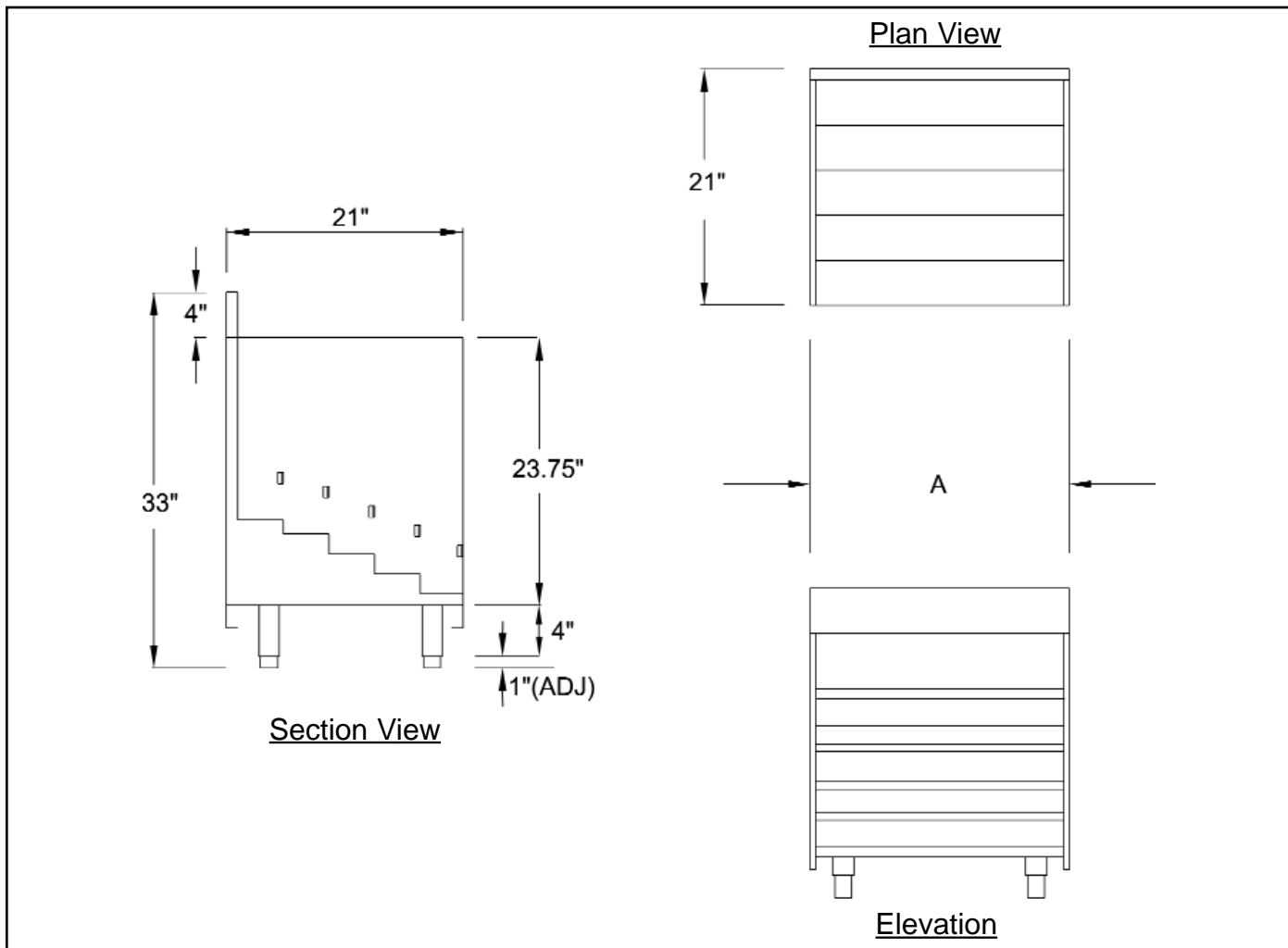
Supreme Metal

Toll Free: 800-645-2526

Fax: 770-740-6010

www.suprememetal.com

Challenger



Model Number	Overall Length (A)	Packaged Weight	Packaged Cubic Feet
CRLR-12	12"	24	10
CRLR-18	18"	29	12
CRLR-24	23"	34	13
CRLR-30	29"	39	14
CRLR-36	35"	44	15
<i>Models with Locking Cover</i>			
CRLR-12-LC	12"	25	10
CRLR-18-LC	18"	34	12
CRLR-24-LC	23"	38	13
CRLR-30-LC	29"	44	14
CRLR-36-LC	35"	48	15

SupremeMetal is constantly engaged in a program of improving their products. We reserve the right to change our specifications without prior notice.