

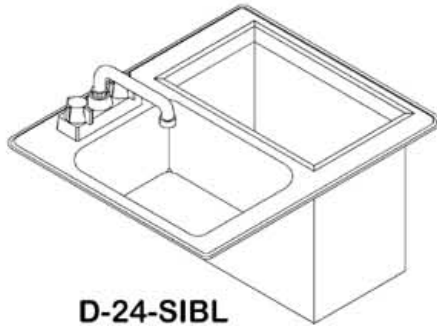


**Spec Sheet No. DI-2**

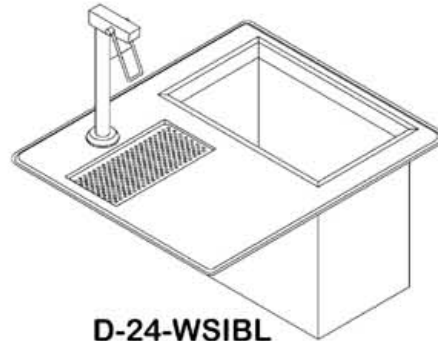
**Job Name** \_\_\_\_\_

**Item No.** \_\_\_\_\_

# Hand Sink & Water Stations



**D-24-SIBL**



**D-24-WSIBL**

*D-12-HSL & D-12-WSL SPECIFICATIONS SHOWN ON BACK.*

## Specifications

**Ice Bin :** 20 gauge 300 series stainless steel.

**Molding :** Extruded black polyethylene thermal breaker marine edge.

**Insulation :** 2 lbs. density, foam in place insulation.

**Plumbing :** 1 I.P.S. drain (*ice bin*)  
1 I.P.S. drain (*drip plate*)  
3 1/2 basket drain with a  
1 1/2 I.P.S. drain (*hand sink*)

**Jacket :** 20 gauge galvanized steel.

**Faucet :** Water filler-push back faucet  
(1/2 NPT Male)  
Hand sink-4 on center deck  
mount with 6 spout  
(1/2 NPT Male)

**Cover :** 20 gauge hinged stainless steel.

**Ice Capacity :** 20-23 lbs.

**Shipping Weight :** 30 lbs.

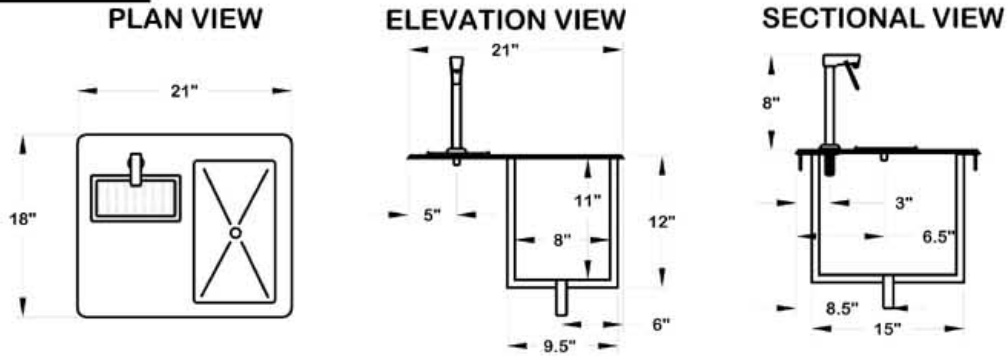


**SupremeMetal**  
Alpharetta, GA 30004

Toll Free: 800-645-2526  
Fax: 770-740-6010

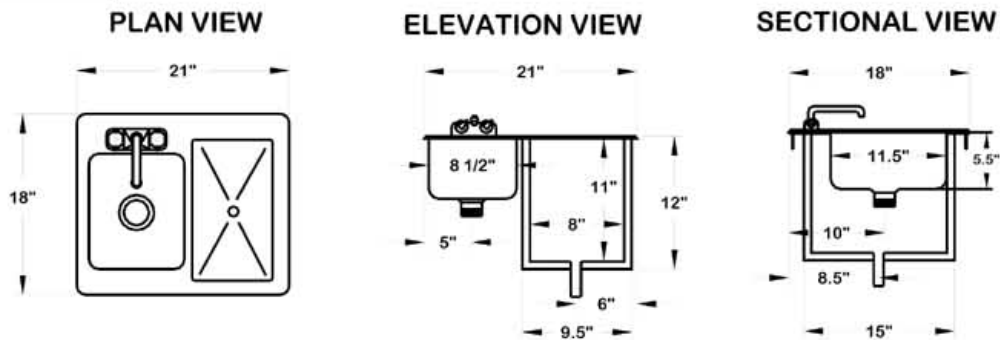
# Drop - Ins

## D-24-WSIBL



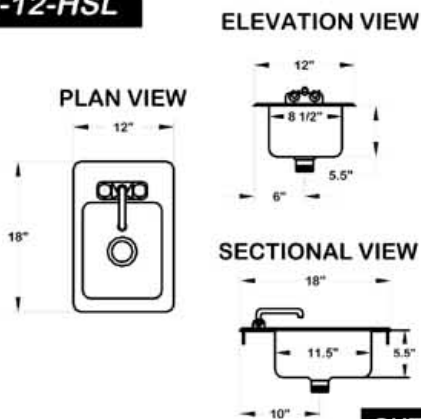
**CUT OUT SIZE 20 3/8" X 15 1/4"**

## D-24-SIBL

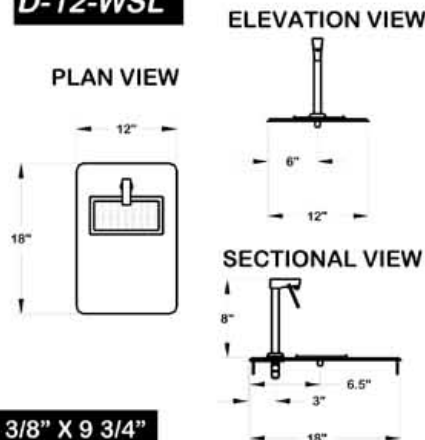


**CUT OUT SIZE 20 3/8" X 15 1/4"**

## D-12-HSL



## D-12-WSL



**CUT OUT SIZE 15 3/8" X 9 3/4"**

*We reserve the right to modify specifications in line with our policy of continuous product improvement.*