



PORTABLE BAR WITH STAINLESS STEEL WORK TOP



Item #: _____ Qty #: _____

Model #: _____

Project #: _____

**Designed For Light-Duty Use By Small
Hotels, VFW Halls And Catering Facilities**

**Custom Colors Available!
(Exterior Only. See below for details)**

FEATURES:

Stainless Steel Work Top with integral ice bin
16" x 20" x 10" deep drawn Ice Bin,
complete with drain & shut-off valve

D-B-7 MODEL:

16" x 20" x 10" deep drawn Ice Bin with 7 Circuit
Post Mix Cold Plate. Includes Stainless Steel bottom,
complete with drain & shut-off valve
Dual speed rails to hold up to 10 bottles of liquor
Single Towel Ring
Open bottom shelf for glass rack storage
4 - 4" Swivel Casters, 2 with brakes

MATERIAL:

CONSTRUCTION: Melamine Construction -
Organic Compound made with Formaldehyde,
black finish

COUNTERTOP: Stainless Steel

CASTERS: Rubber

SPEED RAILS: Stainless Steel

Model #	Size L x W x H	Bar Top Width	Cubic Feet	Weight
D-B	61" x 24.5" x 43.75"	11"	49	210
D-B-7	61" x 24.5" x 43.75"	11"	49	260

Available Accessories

Upgrade to Stainless Steel Speed Rails (Set of 2) - **Model BK-2**

Upgrade to Double Tier Stainless Steel Speed Rails (Set of 2) - **Model DT-2**

Three Sided Continuous Bumper - **Model A-73**

Custom Mica Colors - **Model A-74**

(Custom colors include exterior finishes only (Bar front and sides. Additional charge for bar top.

All interiors are standard black finish)



Customer Service Available To Assist You 1-800-645-3166 8:30 am - 8:00 pm E.S.T.

For Orders & Customer Service:

Email: customer@advancetabco.com or Fax: 631-242-6900

For Smart Fabrication™ Quotes:

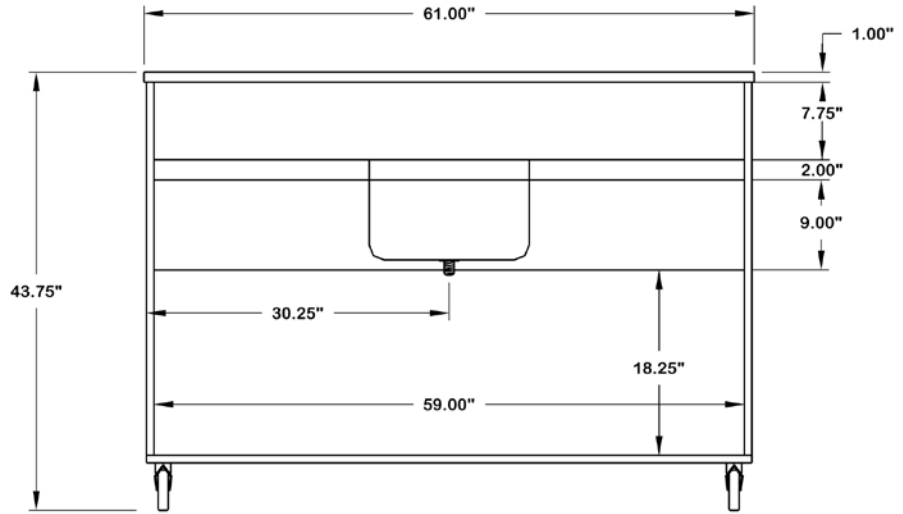
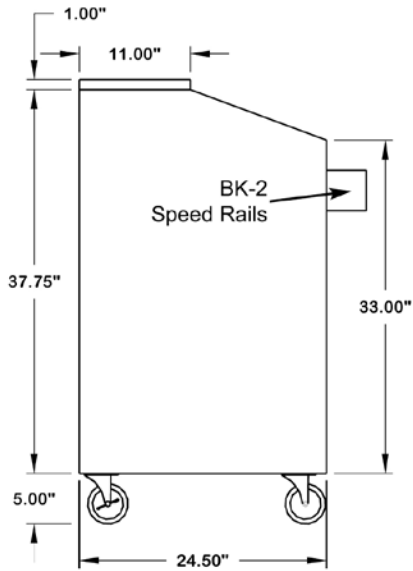
Email: smartfab@advancetabco.com or Fax: 631-586-2933

DIMENSIONS and SPECIFICATIONS

TOL ± .125"

ALL DIMENSIONS ARE TYPICAL

D-B SERIES



D-B SERIES WITH 7 CIRCUIT COLD PLATE

