



# PRESTIGE *Signature Series* Blender Shelves Exclusively For Prestige Ice Bins



Item #: \_\_\_\_\_ Qty #: \_\_\_\_\_  
 Model #: \_\_\_\_\_  
 Project #: \_\_\_\_\_



**15A - 120V Duplex Receptacle  
Located Beneath Blender Shelf**

Model #	Size W x L	Approx. Weight	Approx. Cu. Ft.
PRA-BS-12	10" x 12"	12 lbs.	2
PRA-BS-16	10" x 16"	16 lbs.	2
PRA-BS-18	10" x 18"	18 lbs.	2
PRA-BS-24	10" x 24"	28 lbs.	3
PRA-BS-30	10" x 30"	36 lbs.	3

**FEATURES:**

- All stainless steel construction.
- Grommet hold for blender power cords.
- Includes 15A-120V duplex outlet located beneath shelf.
- Keyhole installation (under shelf).

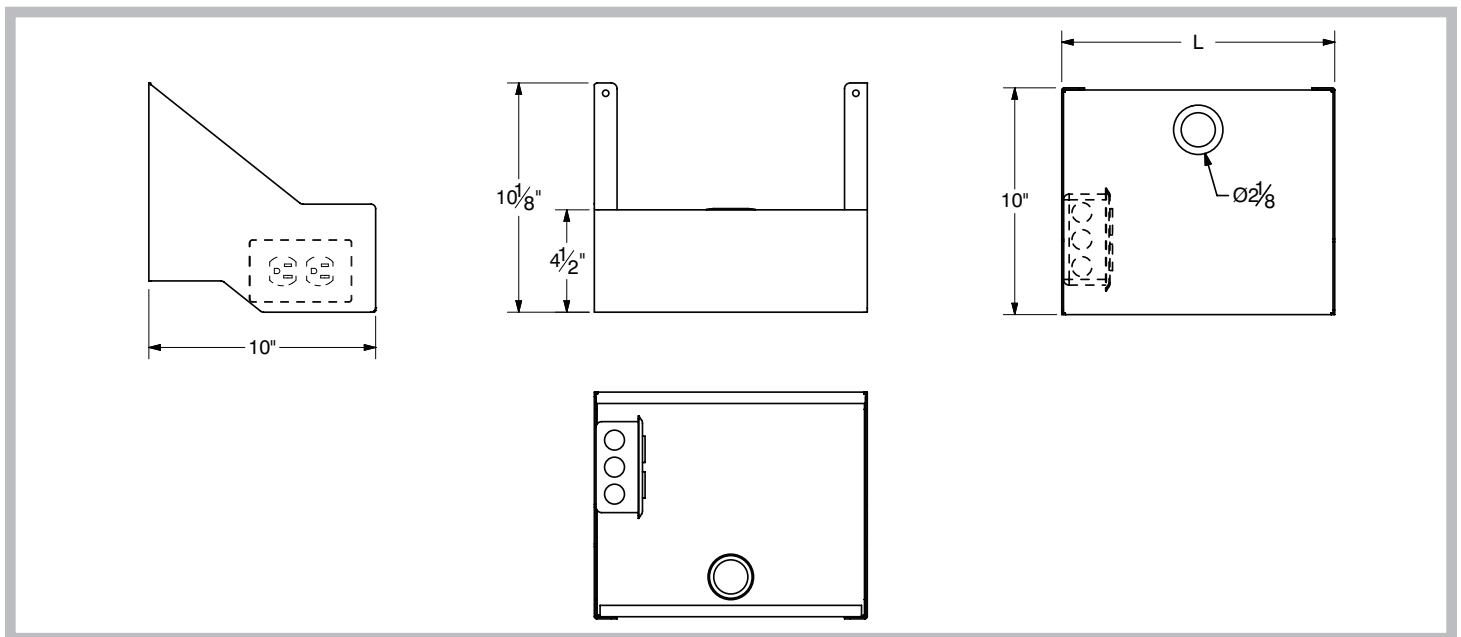
**MATERIAL:**

- Sides:** 16 gauge, 304 stainless steel
- Shelf:** 22 gauge, 304 stainless steel

## DETAILS and SPECIFICATIONS

TOL Overall: ± .500" Interior: ± .250"

ALL DIMENSIONS ARE TYPICAL



**Customer Service Available To Assist You 1-800-645-3166 8:30 am - 8:00 pm E.S.T.**

For Orders & Customer Service:  
 Email: [customer@advancetabco.com](mailto:customer@advancetabco.com) or Fax: 631-242-6900

For Smart Fabrication™ Quotes:  
 Email: [smartfab@advancetabco.com](mailto:smartfab@advancetabco.com) or Fax: 631-586-2933