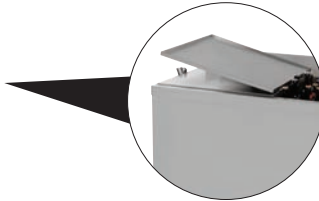




PRESTIGE
Signature Series
Beer Box

Item #: _____ Qty #: _____
 Model #: _____
 Project #: _____



Optional Hinged Cover* Includes Padlock & Two Keys
 SU-35C & SU-35D

**Covers Can Not Be Used During Normal Operation*



FEATURES:

- 18" deep insulated beer box keeps bottle beer ice cold.
- Perforated false bottom allows melted ice to drain.
- False bottom is removable for easy cleaning.
- 7" backsplash.
- Stainless steel legs with adjustable stainless steel bullet feet.
- Optional stainless steel locking cover includes padlock with two keys.

MECHANICAL:

- 1" IPS drain

MATERIAL:

- 20 gauge, 300 stainless steel
- False Bottom:** 18 gauge, 300 stainless steel
- Dividers:** 14 gauge, 300 stainless steel
- Legs:** 1 5/8" O.D. 14 gauge stainless steel with 1" adjustable stainless steel bullet feet
- Ice Bin Insulation:** 2 lbs. density styrofoam
- Optional Locking Cover:** 18 gauge, 300 stainless steel

OPTIONAL:

- SU-35C** - Cover w/ padlock and keys for PRBB-48
- SU-35D** - Cover w/ padlock and keys for PRBB-60
- SU-55** - Additional removable stainless steel divider

Model #	Overall Length (A)	Dist. To Drain (B)	Ice Bin Liner Size L x W x H	Capacity of Bottled Beer	Approx. Weight	Approx. Cu. Ft.
PRBB-48	48"	24"	45 3/4" x 20 3/4" x 18"	12 cases	220 lbs.	14
PRBB-60	60"	30"	57 3/4" x 20 3/4" x 18"	18 cases	225 lbs.	15



Customer Service Available To Assist You 1-800-645-3166 8:30 am - 8:00 pm E.S.T.

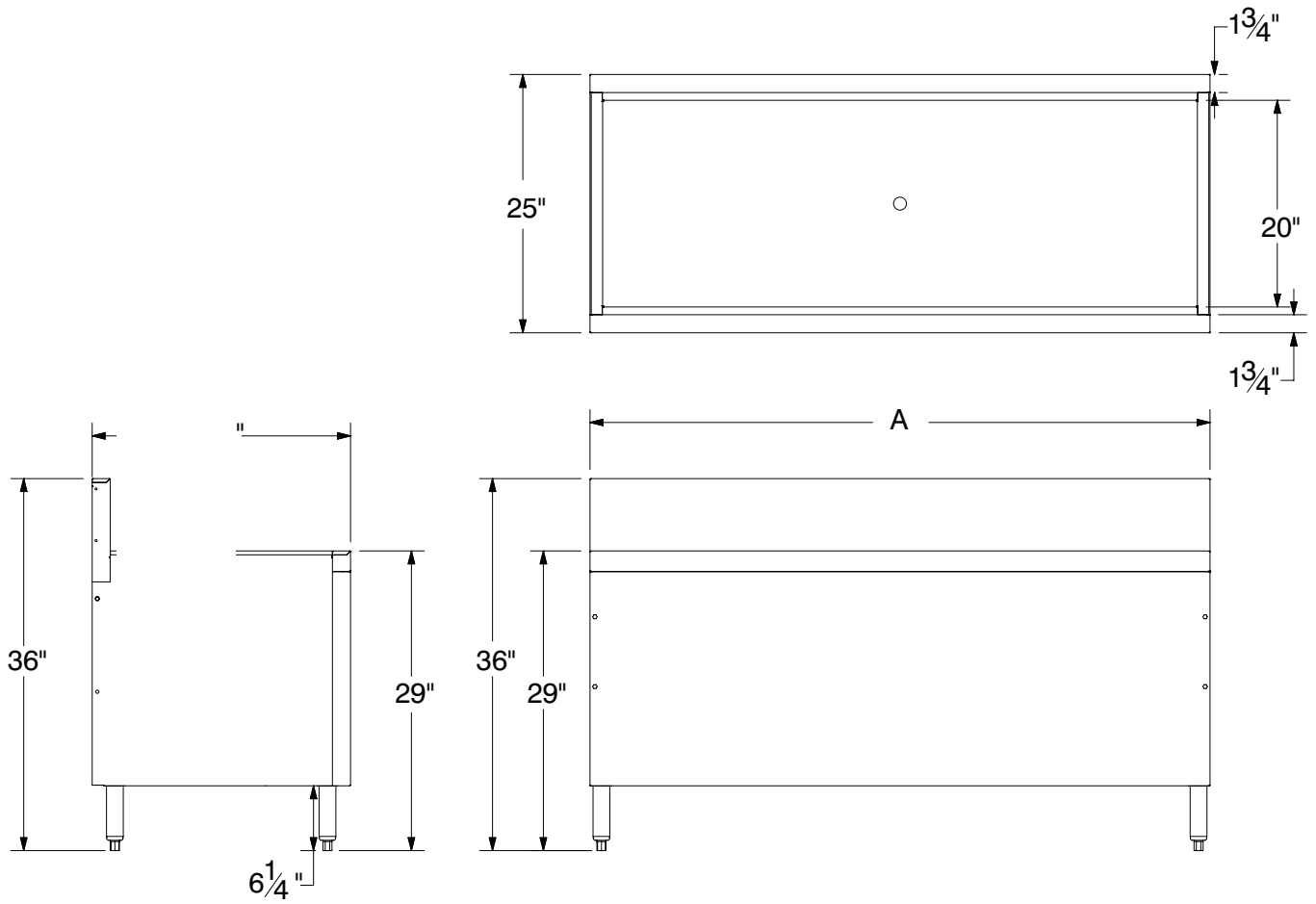
For Orders & Customer Service:
 Email: customer@advancetabco.com or Fax: 631-242-6900

For Smart Fabrication™ Quotes:
 Email: smartfab@advancetabco.com or Fax: 631-586-2933

DIMENSIONS and SPECIFICATIONS

TOL Overall: $\pm .500''$ Interior: $\pm .250''$

ALL DIMENSIONS ARE TYPICAL



ADVANCE TABCO is constantly engaged in a program of improving our products. Therefore, we reserve the right to change specifications without prior notice.

© ADVANCE TABCO, JANUARY 2015