

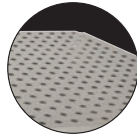


PRESTIGE Signature Series Beer Drainers

20" and 25" Wide Units **NSF**



PRBD-19-24



Removable Perforated Drainboard Top

Item #: _____ Qty #: _____
 Model #: _____
 Project #: _____

20" WIDE Model #	Approx. Weight	Approx. Cu. Ft.	25" WIDE Model #	Approx. Weight	Approx. Cu. Ft.	O.A. Length (A)	Drain Distance (B)
PRBD-19-18	50 lbs.	7	PRBD-24-18	57 lbs.	7	18"	9"
PRBD-19-24	57 lbs.	8	PRBD-24-24	64 lbs.	10	24"	12"

FEATURES:

- 3" x 6" rear column for beer lines.
- Removable perforated drainboard top.
- Stainless steel top, apron, sides and legs with adjustable stainless steel bullet feet.
- Adjustable side cross-bracing.
- 14 3/4" backsplash.

MECHANICAL:

1" IPS drain

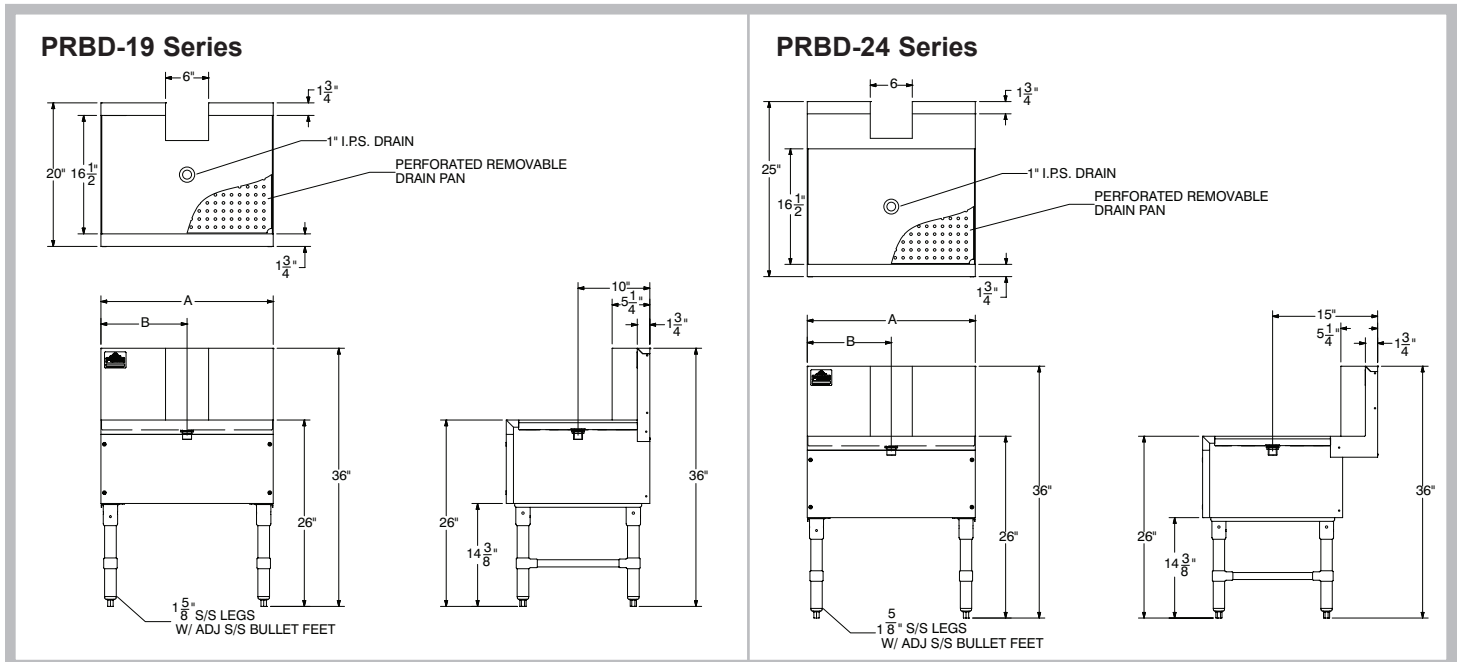
MATERIAL:

- 20 gauge, 300 stainless steel
- Drainboard:** 18 gauge, 300 stainless steel
- Legs:** 1 5/8" O.D. 18 gauge, 300 stainless steel with 1" adjustable stainless steel bullet feet

DETAILS and SPECIFICATIONS

TOL Overall: ± .500" Interior: ± .250"

ALL DIMENSIONS ARE TYPICAL



Customer Service Available To Assist You 1-800-645-3166 8:30 am - 8:00 pm E.S.T.

For Orders & Customer Service:
 Email: customer@advancetabco.com or Fax: 631-242-6900

For Smart Fabrication™ Quotes:
 Email: smartfab@advancetabco.com or Fax: 631-586-2933